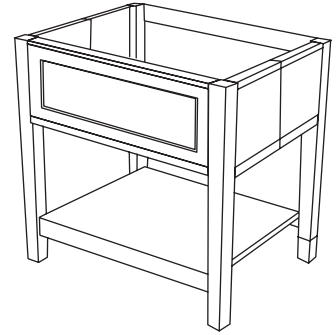


ASSEMBLY & INSTALLATION INSTRUCTIONS



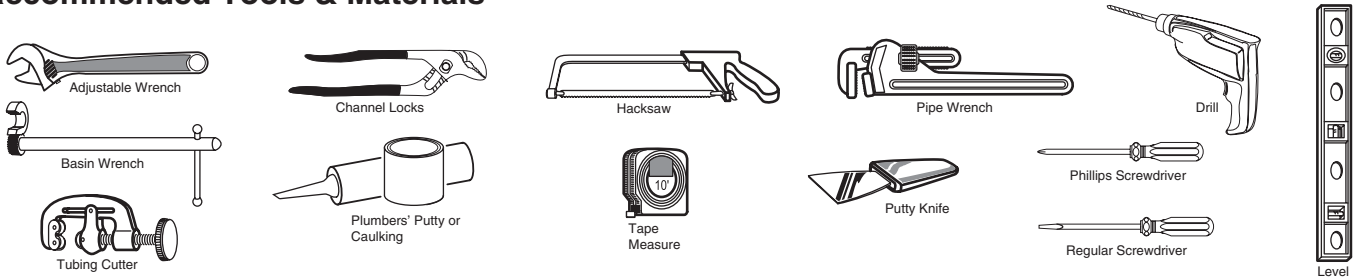
- 9380.000 Cambridge Console Table**
- 9445.124 Cardiff Console Table**
- 9445.024 Cardiff 24" Vanity**
- 9630.124 Jefferson Console Table**
- 9630.024 Jefferson 24" Vanity**

VANITY TOP	RECOMMENDED SINKS	RECOMMENDED FAUCETS
9477.025.XXX Laminate Marble Top (Optional)	0978.000.321 Frosted Glass Round Vessel 0978.000.200 Clear Glass Round Vessel 0960.000.020 China Round Vessel	2064.150.XXX Minimalist Vessel Faucet

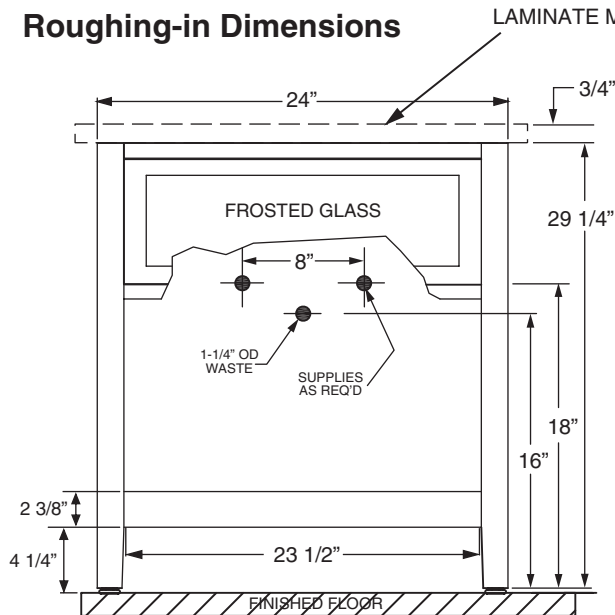
Thank you for selecting our products...products which have been the benchmarks of fine quality for over 100 years. To help insure that the installation process will proceed smoothly, please read these instructions carefully before you begin. Also, review the recommended tools and materials list; carefully unpack and examine your new plumbing fixture.

To maintain the beauty of the finish, avoid placing the furniture in direct sunlight, as sunlight causes fading. Also avoid extreme changes in temperature by arranging furniture away from radiators, heat and air vents, and air conditioning units. Avoid placing furniture directly under windows.

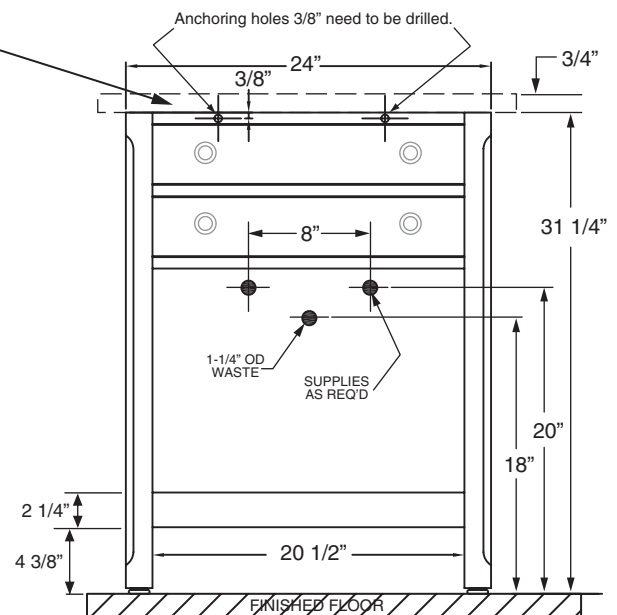
Recommended Tools & Materials



Roughing-in Dimensions



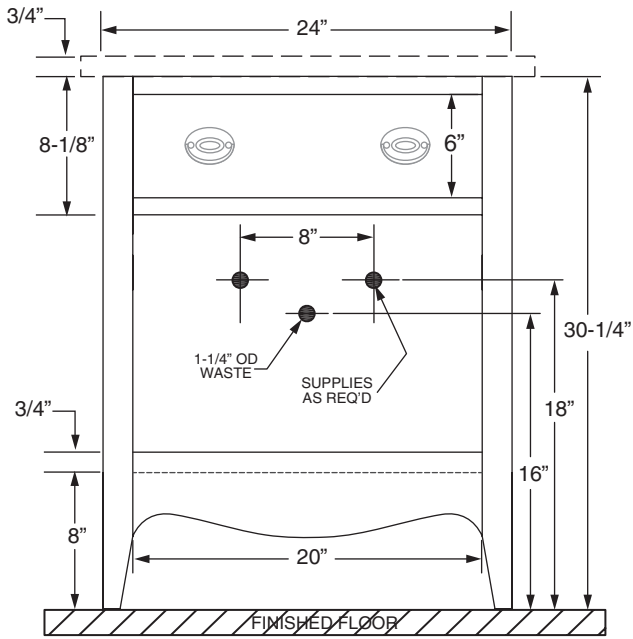
9445.124 Cardiff Console Table



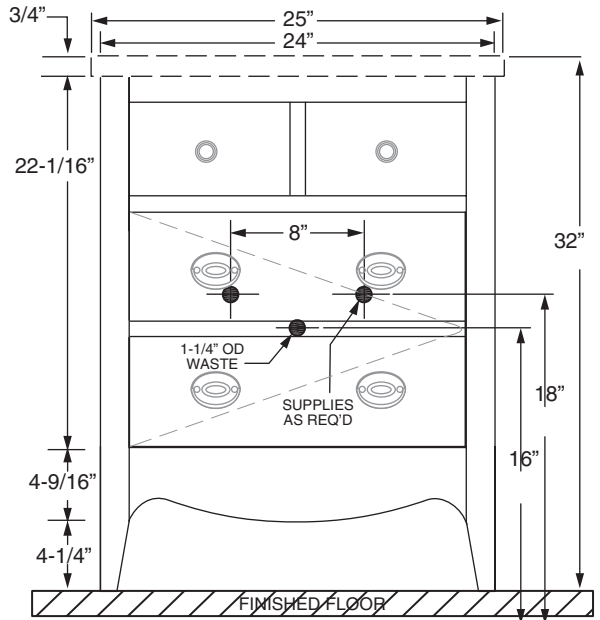
9380.000 Cambridge Console Table

Roughing-in Dimensions

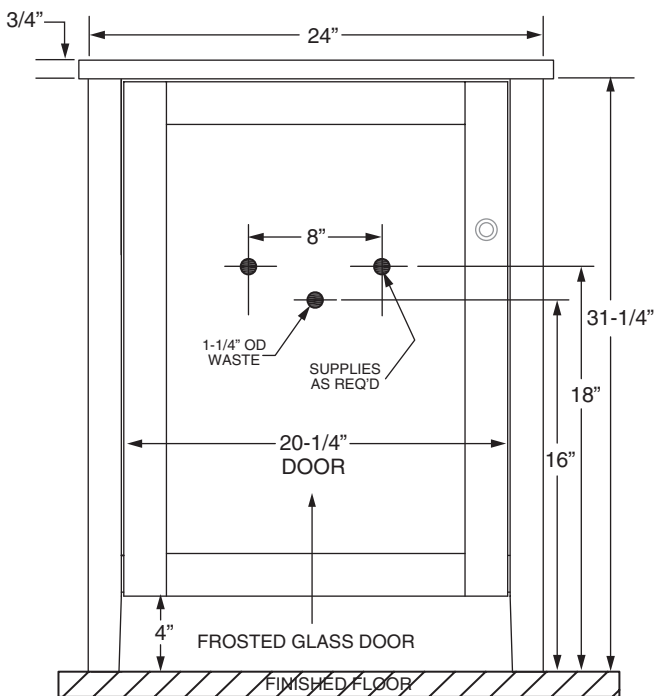
9630.124 Jefferson Console Table



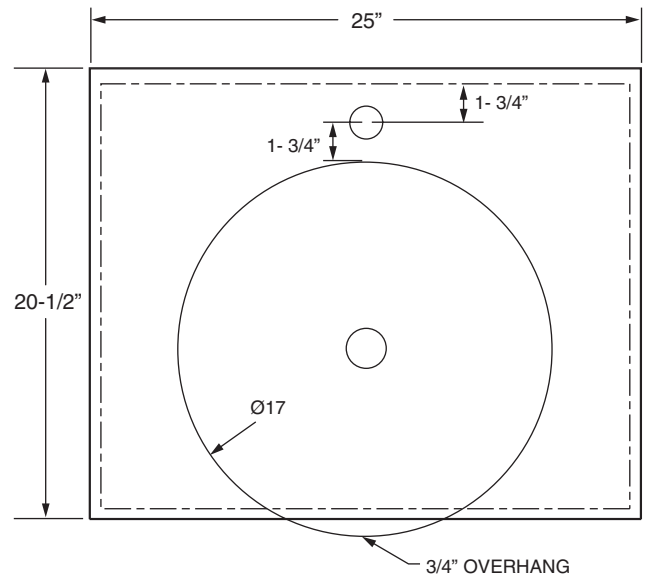
9630.024 Jefferson 24" Vanity w/Door



9445.024 Cardiff 24" Vanity w/Door



9477.025 Optional Laminate Marble Top



CONSOLE TABLE FRAME & VANITY INSTALLATION

Unpack unit carefully, taking care that bottom shelf does not drop and damage front legs (see *Figure 2*).

Provide suitable reinforcement for anchoring the vanity to the wall. Centerline of reinforcement should be 31-3/4" up from the floor (see *Figure 1*).

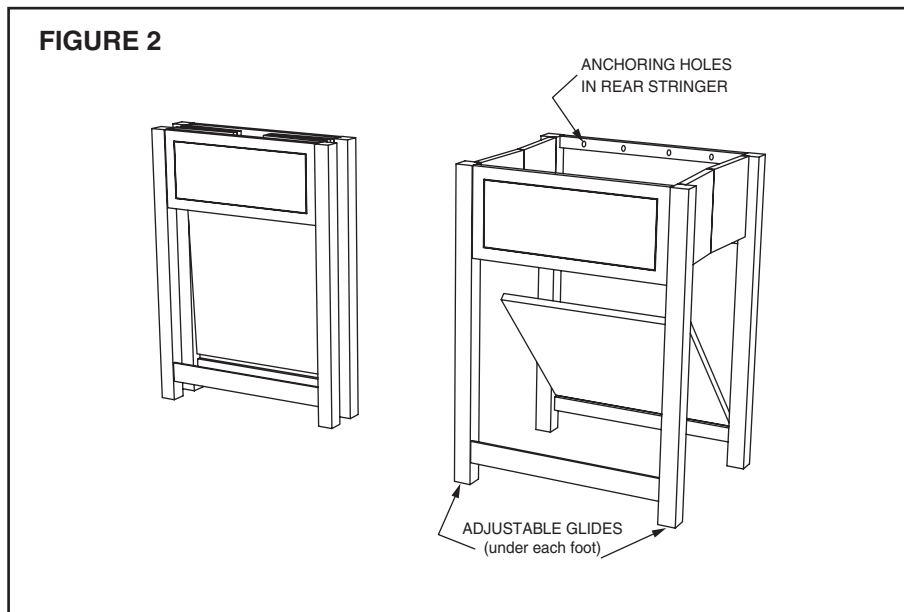
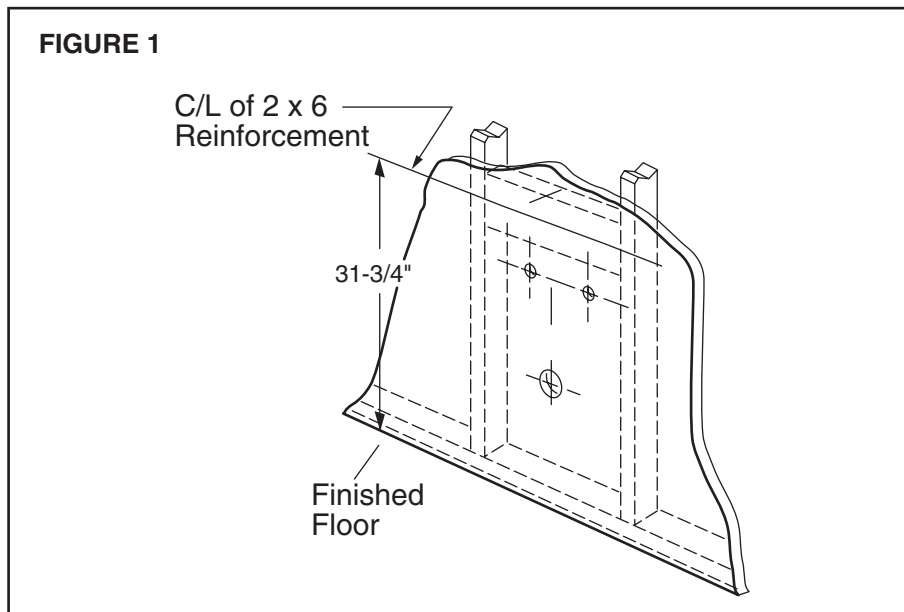
The molding needs to be notched to seat the vanity flush against the wall.

Rough in supply lines and waste per rough-in dimensions.

Drill at least two 3/8" O.D. anchoring holes through the centerline of the rear stringer of the vessel stand, located 3/4" down from the top of the table (see *Figure 2*).

Move the console into place and level with the adjustable glides on the bottom of the feet. The glides can be adjusted outward up to 1" but it is recommended not to exceed 1/2" if possible. Anchor it to the wall through at least 2 of the anchoring holes in the rear of the vanity (see *Figure 2*).

Continue with installation appropriate for top and sink options chosen.

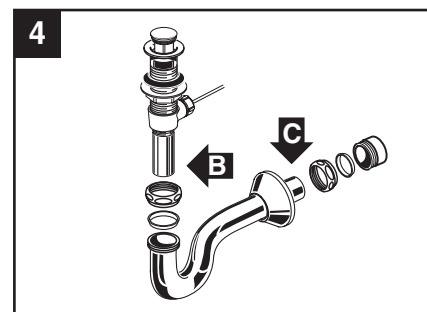
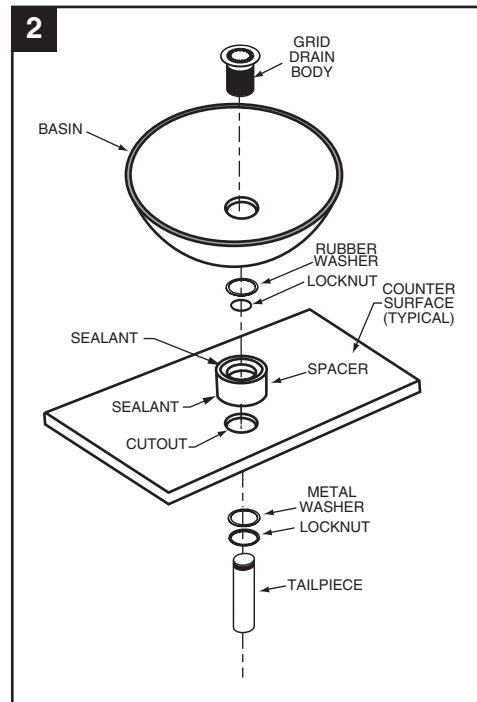


Optional Laminate Marble Top Installation

NOTE: Tops are precut to accommodate recommended sinks and faucet.

OPTION 1: Glass Vessel

- 1** Spread a thin coat of sealant over the top beveled surface of the riser. Place the cup-like rubber washer tapered side up in the recess provided in the riser. Place the sink over the riser.
- 2** The sink is mounted and secured on the countertop by the grid drain assembly, which is installed as follows:
 1. Place a bead of Plumbers' putty with the second rubber washer beneath the rim of the grid drain body. Insert the drain through the sink.
 2. Install the lock-nut from beneath the counter surface. Hand tighten.
 3. Level sink front-to-back and side-to-side.
 4. Install tail piece, clean sealant residue from grid drain rim and spacer.
- 3** Apply a bead of silicon adhesive to the rim of the vanity. Place the marble top centered left to right on the vanity and with the back edge of the top even with the rear of the vanity. Clean up any excess silicon.
- 4** Connect the trap to the drain assembly and hand tighten to check alignment. It may be necessary to cut off part of the tail piece (area "B") or part of the horizontal leg of the trap (area "C").
- 5** Install faucet and connect to supply in accordance with the manufacturer's instructions.
- 6** Water test unit, check for leakage and correct as needed.



OPTION 2: China Vessel

- 1** Mount the drain assembly onto the sink. Apply a bead of Plumbers' putty on the underside of the drain to ensure a watertight seal between the sink and the drain. Remove excess putty.
- 2** Install the sink onto the laminate marble top using sealant. Remove excess compound around the base of the sink. Form a fillet of sealant with a wet finger or sponge.
- 3** Repeat Steps 3-6 listed above to complete installation..

Care and Cleaning of Vanity

Clean the product by using soft, slightly damp cloth. Buff the product by using a soft dry cloth. Avoid using silicone cleaners and waxes.

Clean up excess water and spills immediately. Use a blotting rather than a wiping action. Water left over a long period of time will cause white spots in the finish.

NOTE: Please note that some chemicals may damage the finish. Take care to avoid the following: iodine, hair dye, after shave lotion, shaving cream, alcohol, perfume, Lestoil®, Lysol Tub and Tile Cleaner®, Lysol Spray Disinfectant®, Dow Disinfectant®, acetone, paint remover, Formula 409®, Tile-X®, and Nair®.

Care and Cleaning of Vanity Top

When cleaning your vanity top, wash it with mild, soapy water, rinse thoroughly with clear water and dry with a soft cloth. Avoid detergents, disinfectants, or cleaning products in aerosol cans.

REPLACEMENT PARTS LIST

9380.000 Cambridge Console Table
9445.124 Cardiff Console Table
9445.024 Cardiff 24" Vanity
9630.124 Jefferson Console Table
9630.024 Jefferson 24" Vanity

VANITY TOP	RECOMMENDED SINKS	RECOMMENDED FAUCET
9477.025.XXX Laminate Marble Top (Optional)	0978.000.321 Frosted Glass Round Vessel 0978.000.200 Clear Glass Round Vessel 0960.000.020 China Round Vessel	2064.150.XXX Minimalist Vessel Faucet

REPLACEMENT PART NO.	DESCRIPTION
7301004-0070A	Pull, Jefferson RTU 24" Vanity And Console Table
7301005-0070A	Frosted Glass Insert, Cardiff RTU 24" Console Table
7301006-0070A	Optional Wood Insert, Cardiff RTU 24" Console Table
7301007-0070A	Glass/Wood Insert Cam Lock, Cardiff RTU 24" Console Table
7301008-0070A	Knob, Cambridge RTU 24" Console Table
7301009-0070A	Bottom Shelf, Cambridge RTU 24" Console Table
7301010-0070A	Knob, Jefferson RTU 24" Vanity
7301011-0070A	Adjustable Shelf Jefferson RTU 24" Vanity
7301013-0070A	Door, Jefferson RTU 24" Vanity
7301014-0070A	Door, Cardiff RTU 24" Vanity
7301015-0070A	Frosted Glass, Cardiff RTU 24" Vanity
7301016-0070A	Glass Retainer, Cardiff RTU 24" Vanity
7301017-0070A	Bottom Shelf Hinge, Cardiff/Jefferson/Cambridge
7301018-0070A	RTU Hinge, Cardiff/Jefferson/Cambridge
7301019-0070A	Bottom Shelf, Jefferson Console Table and Vanity
7301020-0070A	Bottom Shelf, Cardiff Console Table and Vanity
730670999-0070A	Cardiff Door Knob
730679-0070A	Threaded Leveller (1 per pack)

AMERICAN-STANDARD WOOD FURNITURE WARRANTY

If inspection of this American-Standard plumbing product, within one year after its initial purchase, confirms that it is defective in materials or workmanship, American-Standard will repair or, at its option, exchange the product for a similar model. Variations in actual wood color and finishes which may result from natural characteristics of the wood, such as grain patterns, mineral streaks and the like, are not defects and are not covered by this warranty.

This warranty applies only to the original purchaser and installation of these products.

This limited warranty does not apply to local building code compliance. Since local building codes vary considerably, the purchaser of this product should check with a local building or plumbing contractor to insure local code compliance before installation.

This warranty shall be void if the product has been moved from its initial place of installation; if it has been subjected to faulty maintenance, abuse, misuse, accident or other damages; if it was not installed in accordance with American-Standard's instructions; or if it has been modified in a manner inconsistent with the product as shipped by American-Standard.

American-Standard's option to repair or exchange the product under this warranty does not cover any labor or other costs of removal or installation, nor shall American-Standard be responsible for any other incidental or consequential damages attributable to a product defect or to the repair or exchange of a defective product, all of which are expressly excluded from this warranty. (Some states or provinces do not allow the exclusion or limitation of implied warranties, so this exclusion may not apply to you).

This warranty gives you specific legal rights. You may have other statutory rights that vary from state to state or province to province, in which case this warranty does not affect such statutory rights.

AMERICAN STANDARD MARBLE/GRANITE VANITY/TABLE TOP LIMITED WARRANTY

If inspection of this American Standard plumbing product, within one year after its initial purchase, confirms that it is defective in materials or workmanship, American Standard will repair or, at its option, exchange the product for a similar model. Variations in shading, veining, and texture which may result from natural characteristics of stone and as such are not defects and are not covered by this limited warranty.

This limited warranty applies only to the original purchaser and installation of these products. In the event of a claim, proof of purchase will be required; save your receipt.

This limited warranty does not apply to local building code compliance. Since local building codes vary considerably, the purchaser of this product should check with a local building or plumbing contractor to insure local code compliance before installation.

This limited warranty is void if the product has been moved from its initial place of installation; if it has been subjected to faulty maintenance, abuse, misuse, accident or other damages; if it was not installed in accordance with American Standard's instructions; or if it has been modified in a manner inconsistent with the product as shipped by American Standard.

American Standard's option to repair or exchange the product under this limited warranty does not cover any labor or other costs of removal or installation, nor shall American Standard be responsible for any other incidental or consequential damages attributable to a product defect or to the repair or exchange of a defective product, all of which are expressly excluded from this limited warranty. This limited warranty does not cover any liability for consequential or incidental damages, all of which are hereby expressly disclaimed, or the extension beyond the duration of this limited warranty of any implied limited warranties, including those of merchantability or fitness for an intended purpose. (Some states or provinces do not allow the exclusion or limitation of implied limited warranties, so this exclusion may not apply to you).

This limited warranty gives you specific legal rights. You may have other statutory rights that vary from state to state or province to province, in which case this limited warranty does not affect such statutory rights.

For service under these limited warranties, it is suggested that a claim be made through the contractor or dealer from or through whom the product was purchased, or that a service request (including a description of the product model and of the defect) be sent to the following address:

In the United States:
American Standard Inc.
P.O. Box 6820
Piscataway, New Jersey 08855
Attention: Director of Consumer Affairs

In Canada:
American Standard
2480 Stanfield Rd.
Mississauga, Ontario
Canada L4Y 1S2

In Mexico:
Customer Service Manager
Ideal Standard, S.A. de C.V.
Via Morelos #330
Col. Santa Clara
Ecatepec 55540 Edo. Mexico

For residents of the United States, warranty information may also be obtained by calling the following toll free number: (800) 442-1902

Toll Free: (800) 387-0369