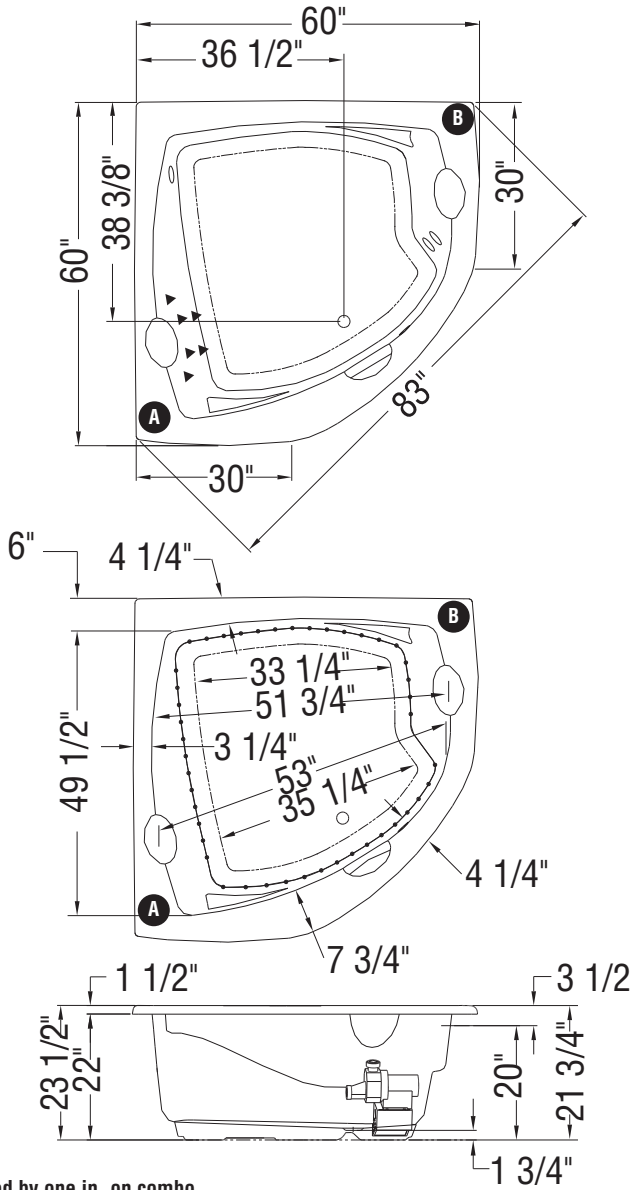


# WHIRLPOOL SYSTEM



Note: A or B pump location could exceed by one in. on combo.

- (A): Specify blower and/or pump location when ordering
- (B): Specify blower and/or pump location when ordering
- (○): Indicates whirlpool jets positioning
- (•): Indicates airjets positioning
- (▲): Indicates backjets positioning

All dimensions are approximate. Structure measurements must be verified against the unit to ensure proper fit.