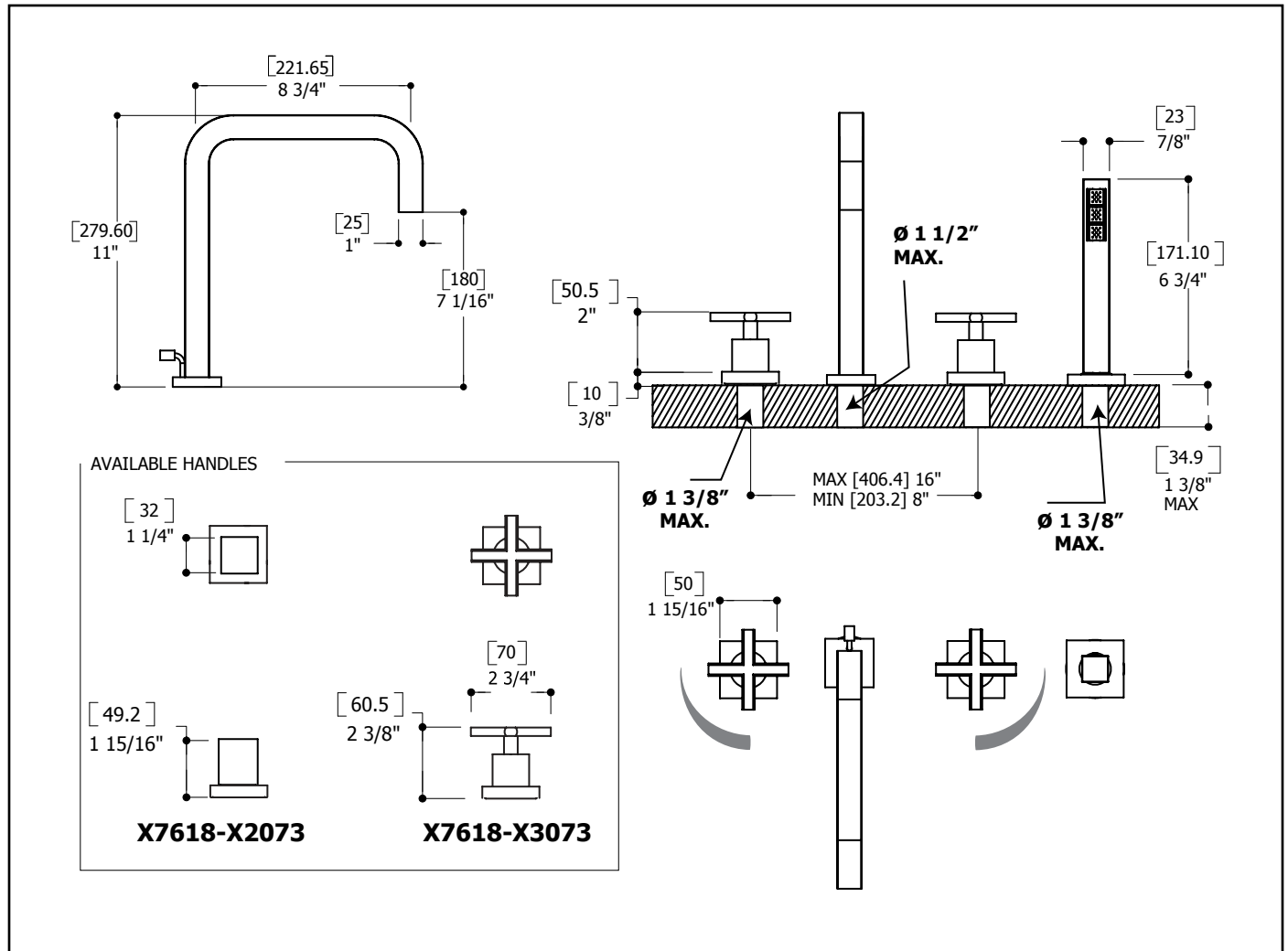
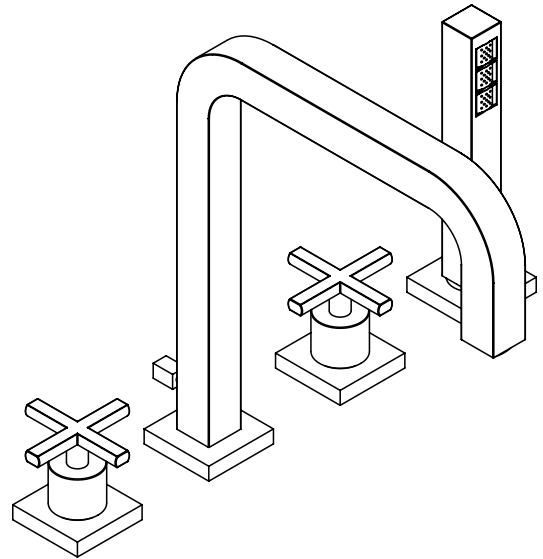


### TECHNICAL SPECIFICATIONS

#### FEATURES:

- Solid brass construction
- High quality finishing
- 8 GPM
- Handshower
- CSA approved



**SERVICE PARTS**

