

TUB FILLER, DIVERTER, HAND SHOWER AND SHOWER RING

Cat. No.
4144



Features:

- ▶ Code Gooseneck Spout
- ▶ Handheld Shower and Cradle
- ▶ Check Valve in Handshower
- ▶ Includes 59" Hose
- ▶ 1/4 turn Ceramic Disc Cartridges
- ▶ Porcelain Lever Handles
- ▶ 3 3/8" Centers
- ▶ Includes Ceiling and Wall Support Assemblies
- ▶ Supports Adjustable by Cutting
- ▶ Includes Riser and Shower Ring
- ▶ Shower Head Not Included
- ▶ For Acrylic Tub Use Only
- ▶ For Cast Iron Tub Use: Part# 4143

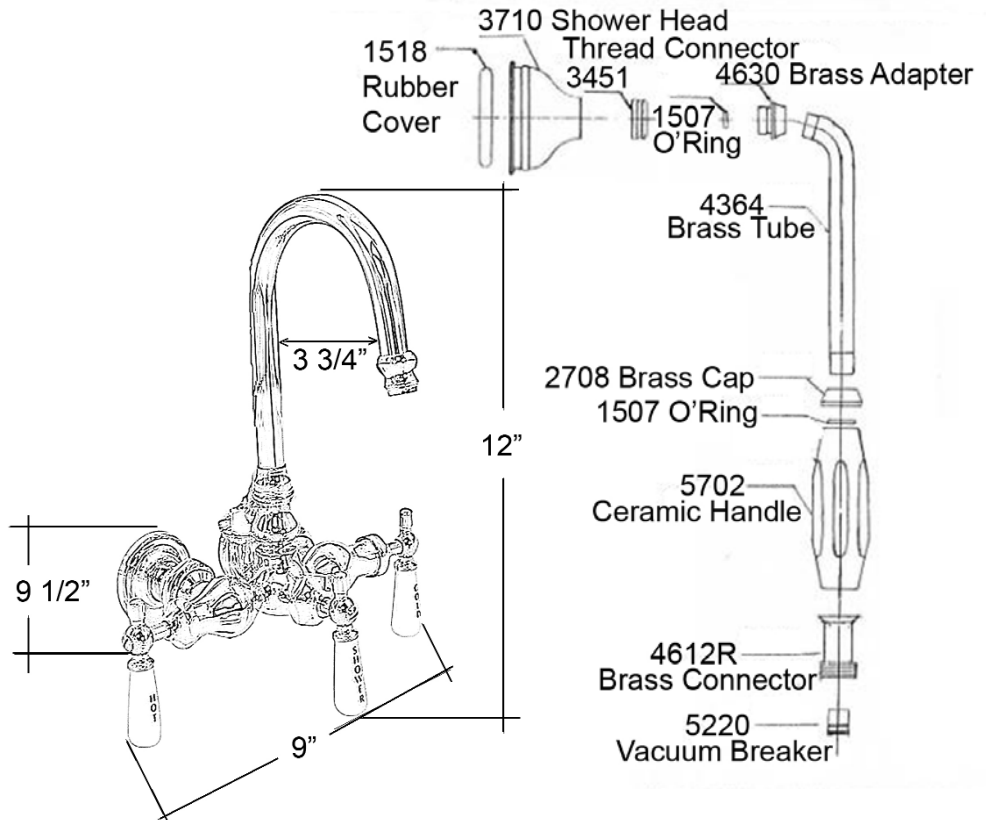
Finishes

BP Polished Brass
CP Polished Chrome

PN Polished Nickel
SN Brushed Nickel



Shower Rod: 48" W x 24" D
Riser Height: 60"
Wall Support: 10" adjustable
Ceiling Support: 30" adjustable



Dimensions are nominal and may vary. Dimensions and specifications subject to change without notice.