

SA0506 SPECIFICATIONS

halo blu-stone™ freestanding pedestal basin

FEATURES:

- Round freestanding pedestal basin with 1½" kick
- Modern freestanding design with integral slot overflow & matching blu-stone™ waste cover
- Made of blu-stone™ providing the look and feel of natural stone
- Stronger and more durable than ceramic
- Non-porous, stain resistant surface that does not require sealing
- Does not promote bacteria, mold or fungi

SPECIFICATIONS:

Drain hole:	Ø1¾" (Ø45mm)*
Size:	19¼" DIA x 31½" H (489mm x 800mm)*
Height:	31½" (800mm)
Warranty:	Five Year Warranty (Residential use) One Year Warranty (Commercial use)
Material:	blu-stone™
Shipping Weight:	79lbs (36kg)
Shipping Dimensions:	(LWH) 22" x 22" x 34¼" (559mm x 559mm x 870mm)

COLORS / FINISHES:

White Matte and gloss as standard
Matte / Gloss / Embossed finishes available
Custom colors available - special order

ACCESSORIES:

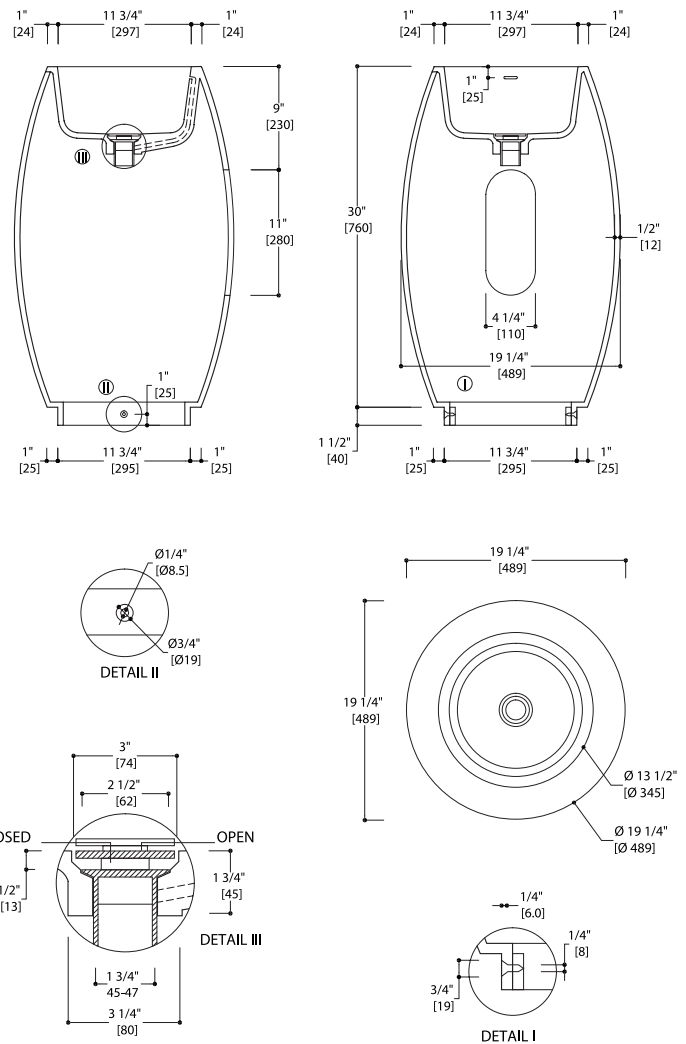
Recommend TW121 push button waste
blu-stone™ waste cover included

INSTALLATION NOTES:

Install this product according to the installation guide.
Our products must be installed by certified professionals only and according to our installation guide as well as federal, provincial / state and local building codes and regulations. Product has an overflow. Spout must provide a minimum of 7" reach for adequate clearance into basin.

CODES / STANDARDS APPLICABLE:

- ADA
- ASME A112.19.2
- IAPMO / cUPC
- ICC / ANSI A117.1
- CSA B 45
- Fixture dimensions and hydraulic performance meet or exceed ANSI / ASME standard A112.19.2, A112.19.9M and CAN / CSA B 45 requirements.



*Approximate measurements for comparison only.
Note: These dimensions and specifications are subject to change without notice.