

WATERMARK

DESIGNS

T 718.257.2800

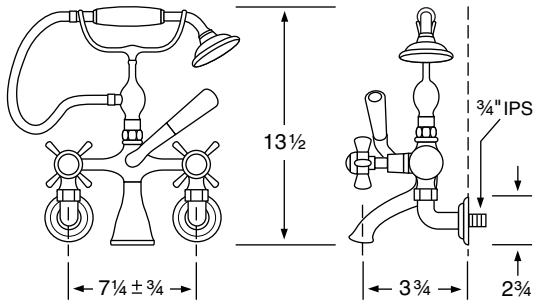
F 718.257.2144

info@watermark-designs.com

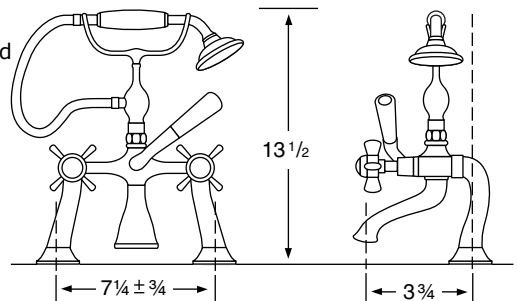
Elevated Tub Fillers

Specifications

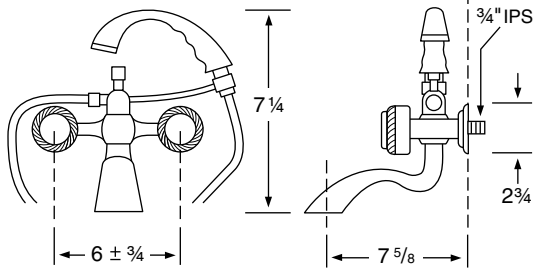
28-5.2
321-5.2
Tub Group with
Handshower



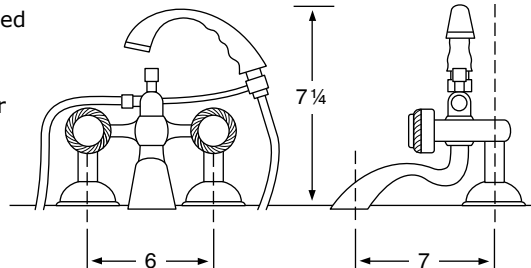
28-8.7
321-8.1
Deck Mounted
Elevated
Tub Filler
with
Handshower



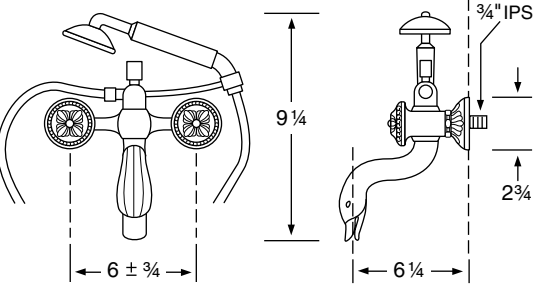
130-5.2
Tub Group with
Handshower



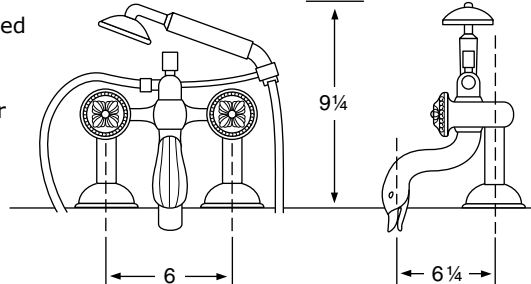
130-8.2
Deck Mounted
Elevated
Tub Filler
with
Handshower



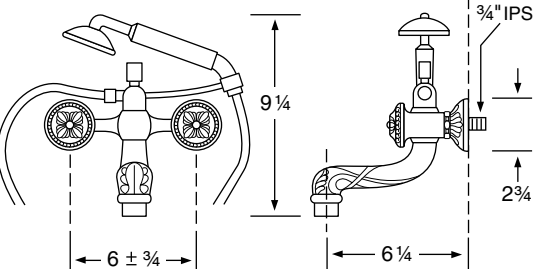
140-5.2
Tub Group with
Handshower



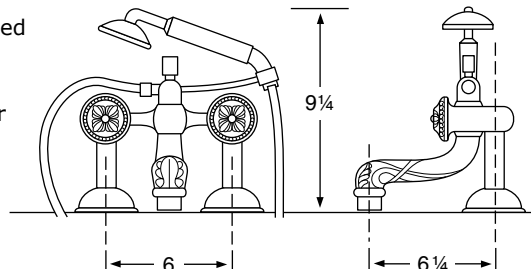
140-8.2
Deck Mounted
Elevated
Tub Filler
with
Handshower



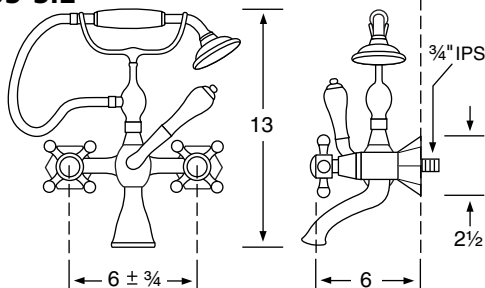
150-5.2
Tub Group with
Handshower



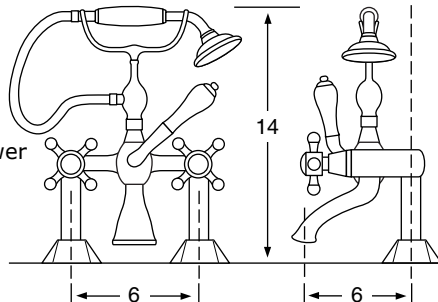
150-8.2
Deck Mounted
Elevated
Tub Filler
with
Handshower



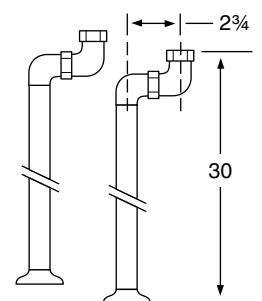
312-5.2 Tub Group with Handshower
205-5.2



312-8.2
205-8.2
Deck Mounted
Elevated
Tub Filler
with
Handshower



SS-RIS100 Risers



See Handle Trim Specifications for a complete list of additional handle trims