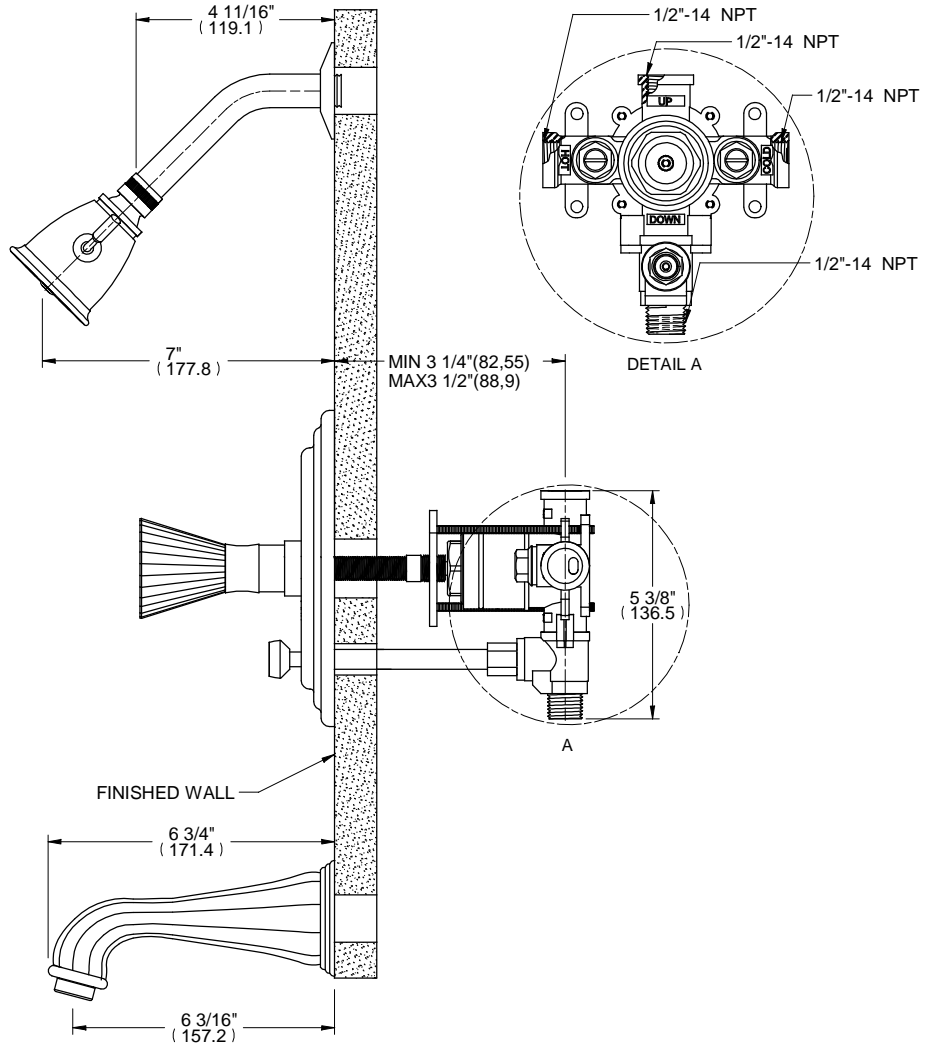
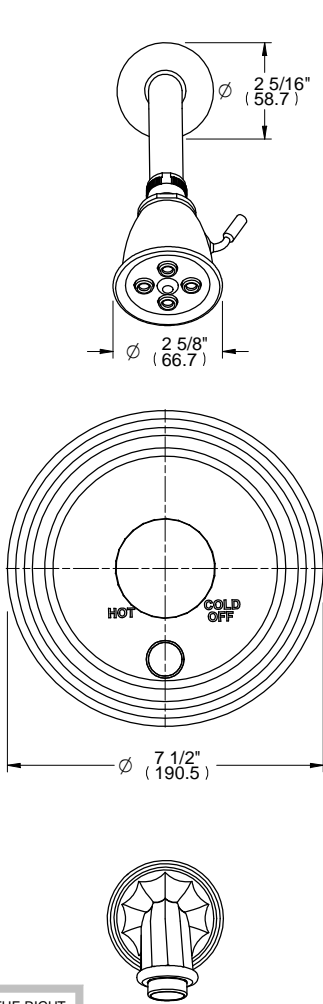


L1



ALTMANS RESERVES THE RIGHT TO MODIFY AND CHANGE SPECIFICATIONS AT ANY TIME. PLEASE VERIFY DIMENSIONS PRIOR TO INSTALLATION.

**Features**  
 Available in All Finishes  
 All Brass Construction

**Through-Hole Specifications**

DIMENSIONS SHOWN TO NEAREST 1/16"