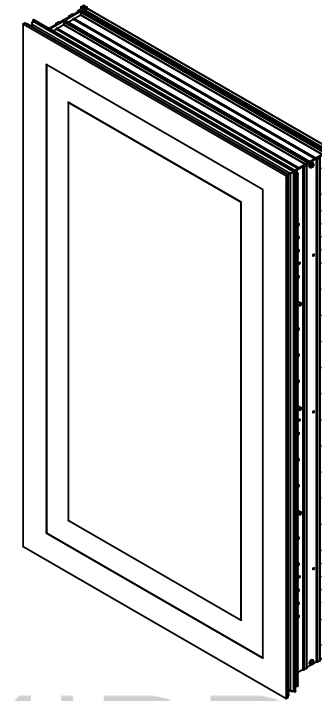
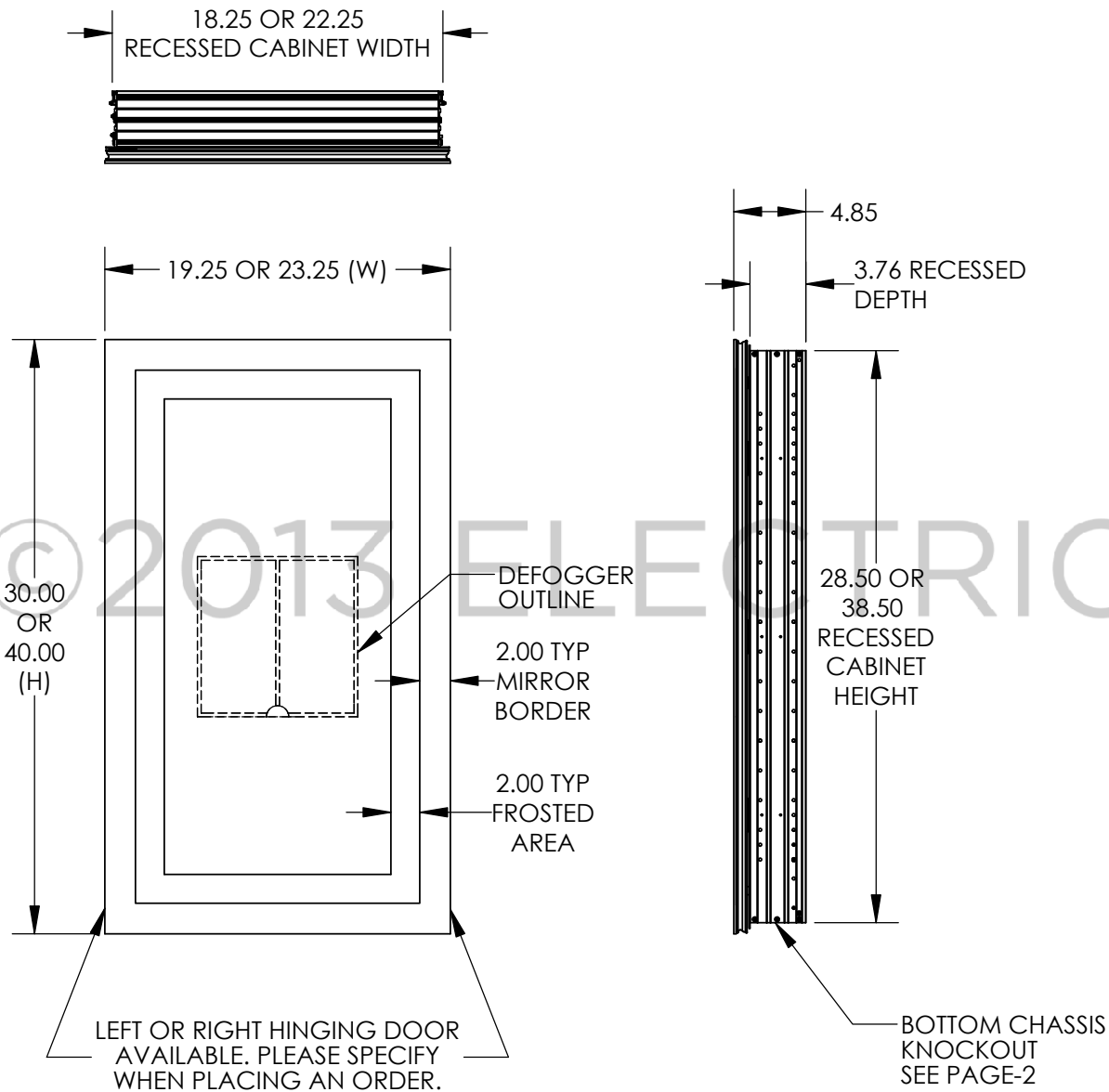


*BY APPROVING THIS DRAWING YOU ARE ENSURING THAT THESE DIMENSIONS HAVE BEEN FIELD VERIFIED.

APPROVED BY: _____ DATE: _____

REVISION REQUESTED



SPECIFICATION:

THE MC CABLE IS BROUGHT IN THROUGH THE BOTTOM SIDE CHASSIS KNOCKOUT AND CONNECTED TO WIRE DISCONNECT. NO ELECTRICAL BOX REQUIRED. CABINET MAY BE ON DEDICATED HOT CIRCUIT OR CONTROLLED BY LIGHT SWITCH, SEE INSTALLATION INSTRUCTIONS FOR WIRING DETAIL.

FIXTURE SHOULD BE MOUNTED TO A MECHANICALLY SOUND SURFACE SUCH AS WALL STUDS TO SUPPORT ITS WEIGHT. MOUNTING HOLES ARE PROVIDED IN THE CABINET.

LED SPECIFICATION:

TYPE: HI-POWER LED
 AVG RATED LIFE (hrs): 50,000
 CCT (k): 3000
 CRI: 85

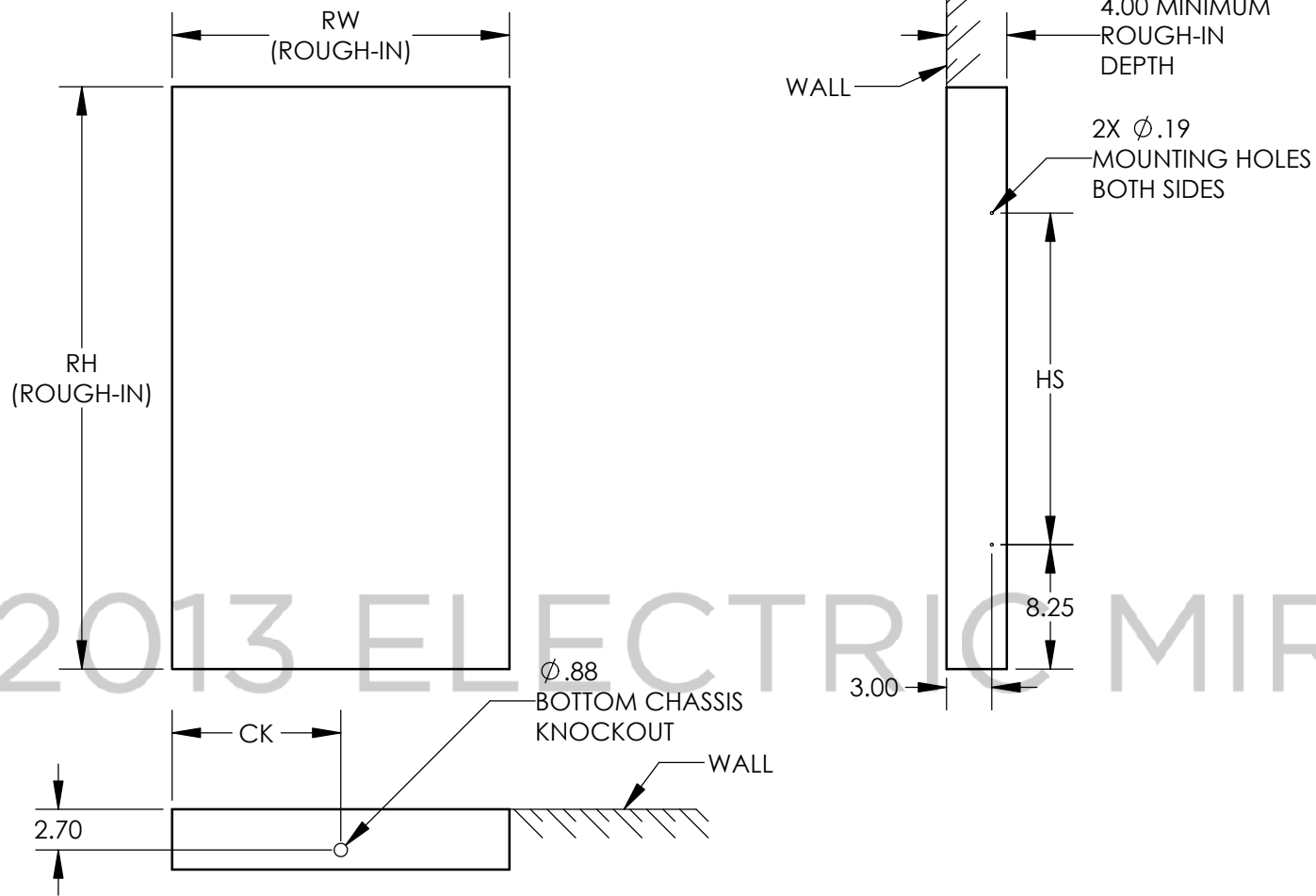
ELECTRIC MIRROR [®] 2014 **AMBIANCE RECESSED MOUNT**

SALES AID -01/22/2014

PROPRIETARY AND CONFIDENTIAL:

THE INFORMATION CONTAINED IN THIS DRAWING IS THE SOLE PROPERTY OF ELECTRIC MIRROR L.L.C. ANY REPRODUCTION IN PART OR AS A WHOLE WITHOUT THE WRITTEN PERMISSION OF ELECTRIC MIRROR L.L.C. IS PROHIBITED. © 2014 ELECTRIC MIRROR

DIMS IN INCHES	REV. A
SCALE: 1:12	PG.1 OF 2
CONTACT US: consultants@electricmirror.com T+1.425.776.4946	



WALL MOUNTING DETAILS

MODEL SIZE	W	H	RW	RH	HS	CK	DEFOGGER	AMPS @ 120V
AMB-19.25X30.00	19.25	30	18.38	28.63	12	9.19	6X11	0.52
AMB-23.25X30.00	23.25	30	22.38	28.63	12	11.19	6X11	0.6
AMB-19.25X40.00	19.25	40	18.38	38.63	22	9.19	10X10	0.69
AMB-23.25X40.00	23.25	40	22.38	38.63	22	11.19	10X10	0.74

ELECTRIC MIRROR [®] 2014

AMBIANCE RECESSED MOUNT

SALES AID -01/22/2014

PROPRIETARY AND CONFIDENTIAL:

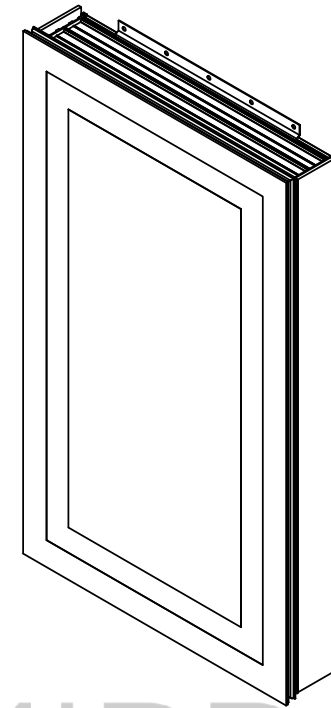
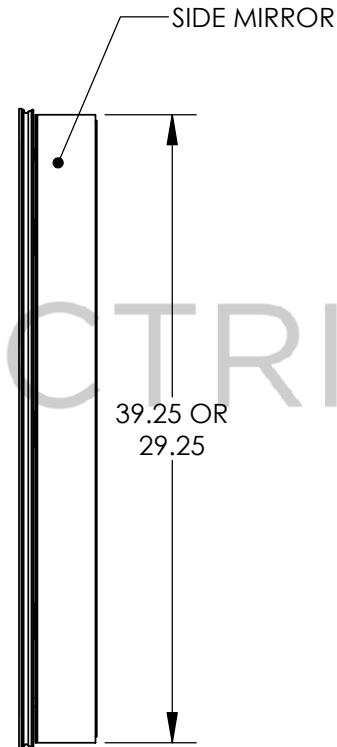
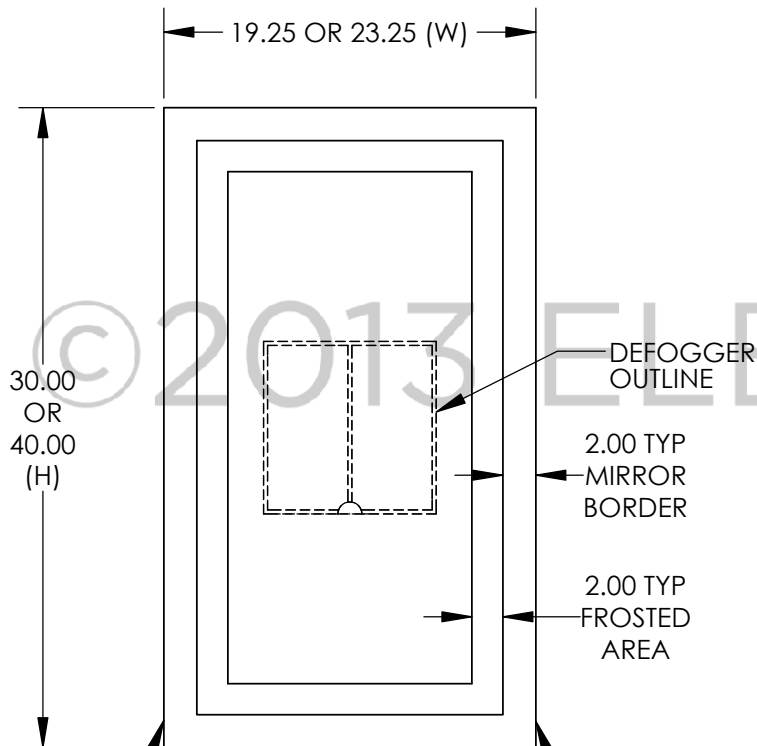
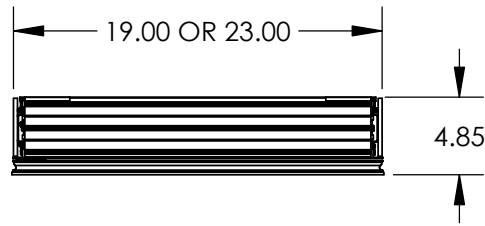
THE INFORMATION CONTAINED IN THIS DRAWING IS THE SOLE PROPERTY OF ELECTRIC MIRROR L.L.C. ANY REPRODUCTION IN PART OR AS A WHOLE WITHOUT THE WRITTEN PERMISSION OF ELECTRIC MIRROR L.L.C. IS PROHIBITED. © 2014 ELECTRIC MIRROR

DIMS IN INCHES	REV. A
SCALE: 1:12	PG.2 OF 2
CONTACT US: consultants@electricmirror.com T+1.425.776.4946	

*BY APPROVING THIS DRAWING YOU ARE ENSURING THAT THESE DIMENSIONS HAVE BEEN FIELD VERIFIED.

APPROVED BY: _____ DATE: _____

REVISION REQUESTED



LEFT OR RIGHT HINGING DOOR
AVAILABLE. PLEASE SPECIFY
WHEN PLACING AN ORDER.

SPECIFICATION:

THE MC CABLE IS BROUGHT IN THROUGH THE BACKSIDE CHASSIS KNOCKOUT AND CONNECTED TO WIRE DISCONNECT. NO ELECTRICAL BOX REQUIRED. CABINET MAY BE ON DEDICATED HOT CIRCUIT OR CONTROLLED BY LIGHT SWITCH, SEE INSTALLATION INSTRUCTIONS FOR WIRING DETAIL.

FIXTURE SHOULD BE MOUNTED TO A MECHANICALLY SOUND SURFACE SUCH AS WALL STUDS TO SUPPORT ITS WEIGHT. MOUNTING CLEATS ARE PROVIDED.

LED SPECIFICATION:

TYPE: HI-POWER LED
AVG RATED LIFE (hrs): 50,000
CCT (k): 3000
CRI: 85

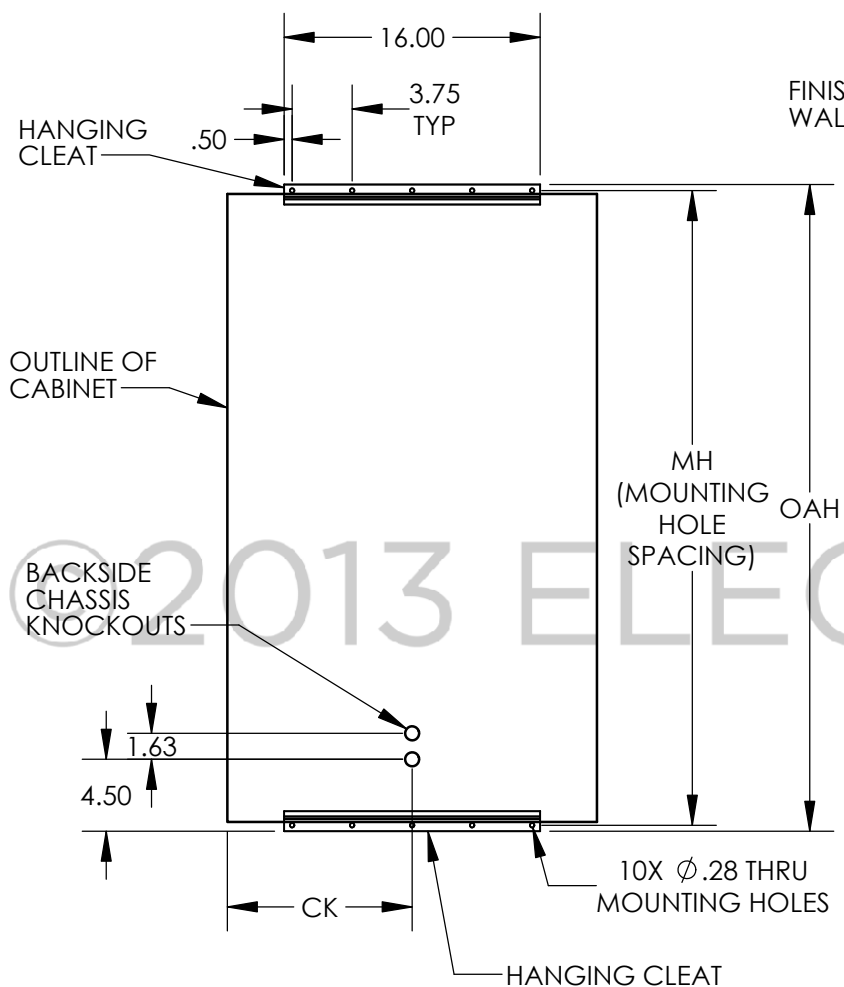
ELECTRIC MIRROR [®] 2014 **AMBIANCE SURFACE MOUNT**

SALES AID -01/22/2014

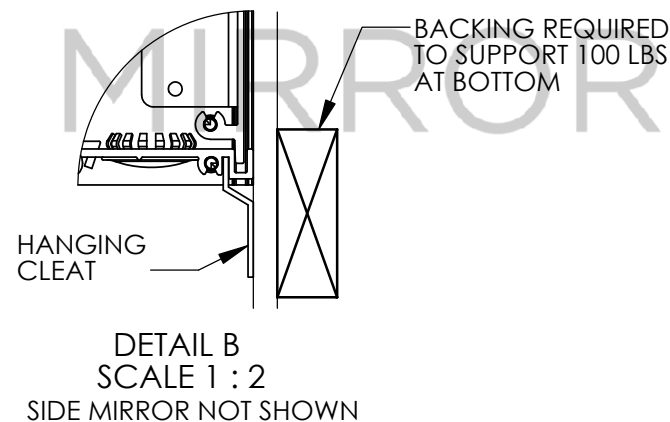
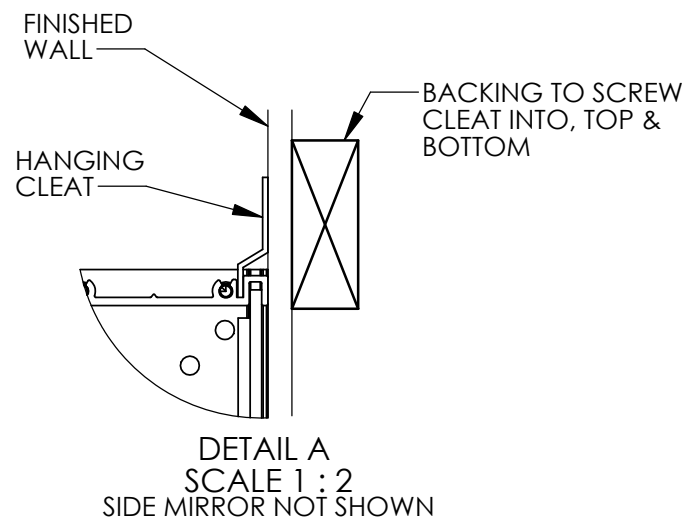
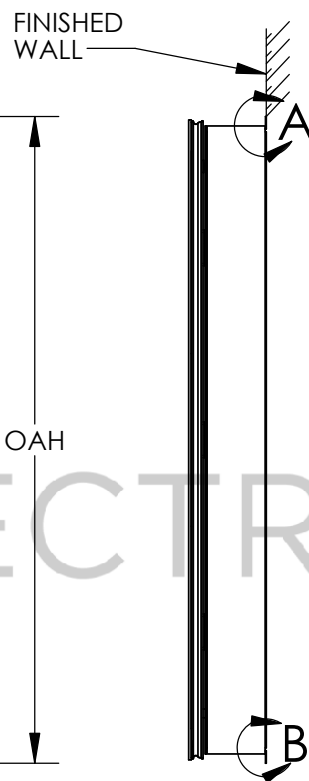
PROPRIETARY AND CONFIDENTIAL:

THE INFORMATION CONTAINED IN THIS DRAWING IS THE SOLE PROPERTY OF ELECTRIC MIRROR L.L.C. ANY REPRODUCTION IN PART OR AS A WHOLE WITHOUT THE WRITTEN PERMISSION OF ELECTRIC MIRROR L.L.C. IS PROHIBITED. © 2014 ELECTRIC MIRROR

DIMS IN INCHES	REV. A
SCALE: 1:12	PG.1 OF 2
CONTACT US: consultants@electricmirror.com T+1.425.776.4946	



WALL HANGING DETAILS



MODEL SIZE	W	H	OAH	MH	CK	DEFOGGER	AMPS @ 120V
AMB-19.25X30.00	19.25	30	30.42	29.67	9.55	6X11	0.52
AMB-23.25X30.00	23.25	30	30.42	29.67	11.55	6X11	0.6
AMB-19.25X40.00	19.25	40	40.42	39.67	9.55	10X10	0.69
AMB-23.25X40.00	23.25	40	40.42	39.67	11.55	10X10	0.74

ELECTRIC MIRROR[®] 2014 AMBIANCE SURFACE MOUNT

SALES AID -01/22/2014

PROPRIETARY AND CONFIDENTIAL:

THE INFORMATION CONTAINED IN THIS DRAWING IS THE SOLE PROPERTY OF ELECTRIC MIRROR L.L.C. ANY REPRODUCTION IN PART OR AS A WHOLE WITHOUT THE WRITTEN PERMISSION OF ELECTRIC MIRROR L.L.C. IS PROHIBITED. © 2014 ELECTRIC MIRROR

DIMS IN INCHES	REV. A
SCALE: 1:12	PG.2 OF 2
CONTACT US: consultants@electricmirror.com T+1.425.776.4946	