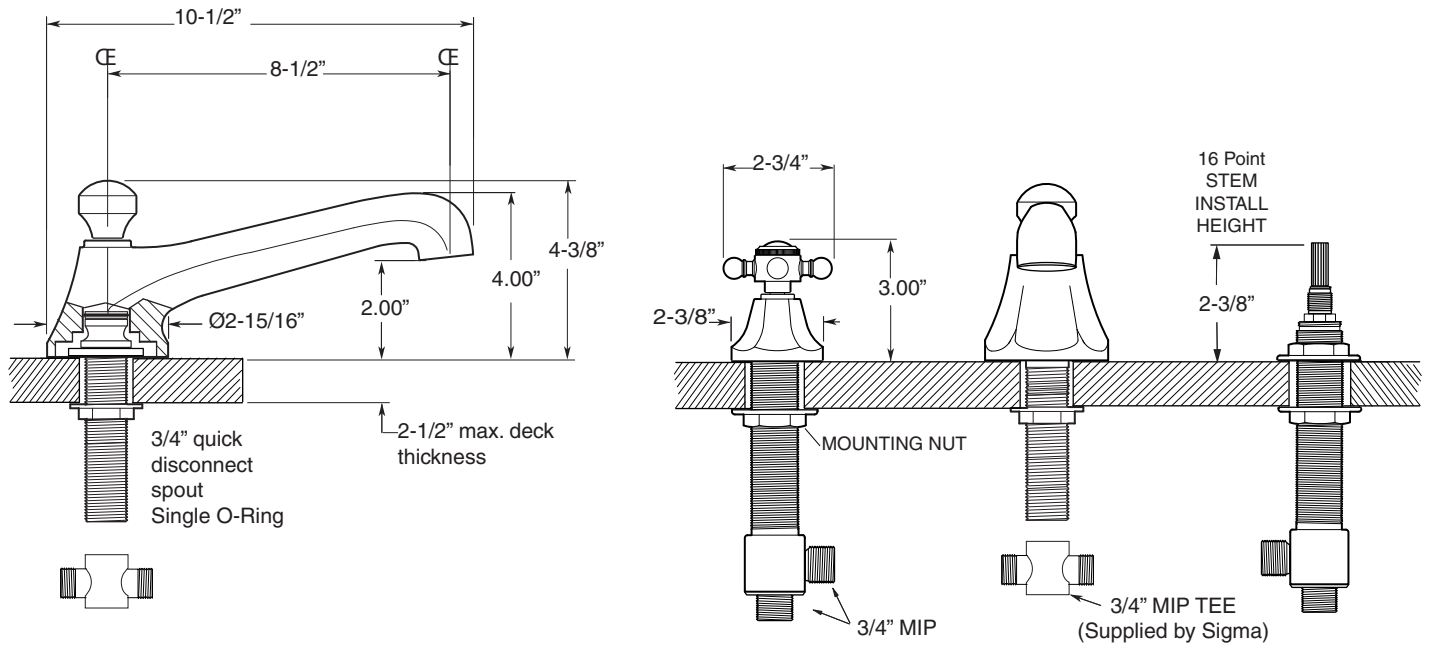


**FEATURES:**

- All brass construction.
- Cross handle style with setscrew attachment.
- 3/4" valve bodies with 1/4-turn ceramic disc cartridge.
- Available in all finishes. Warranty varies according to finish selection.
- Certified to meet and exceed the following codes and standards:  
ASME A112.18.1-2005/CSAB 125.1-2005

Salem  
Roman Tub Set  
1.300977  
(1.300977T - Trim Only)



**NOTE:** Spout and valves install through 1-1/4" diameter holes.  
Plumber to provide 3/4" supply lines to valves

# Series 300

Salem  
Roman Tub Set

