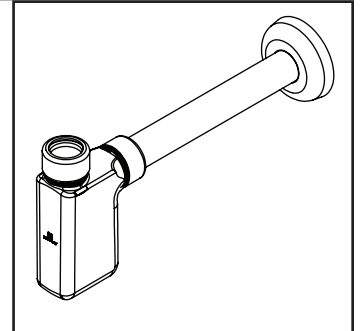




**PRODUCT DESCRIPTION**

9100-CP/SN/DB bottle trap

- Surpasses US and Canadian plumbing standards
- Constructed from solid brass
- Decorative bottle trap
- 13" Tailpipe Length



**PRODUCT MEASUREMENTS**

- Width: 1 27/32"
- Depth: 13"
- Height: 6"

**RECOMMENDED ACCESSORIES**

**ROUGHING-IN DIMENSIONS**

