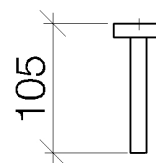
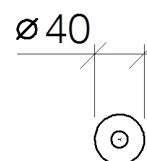


Product specifications

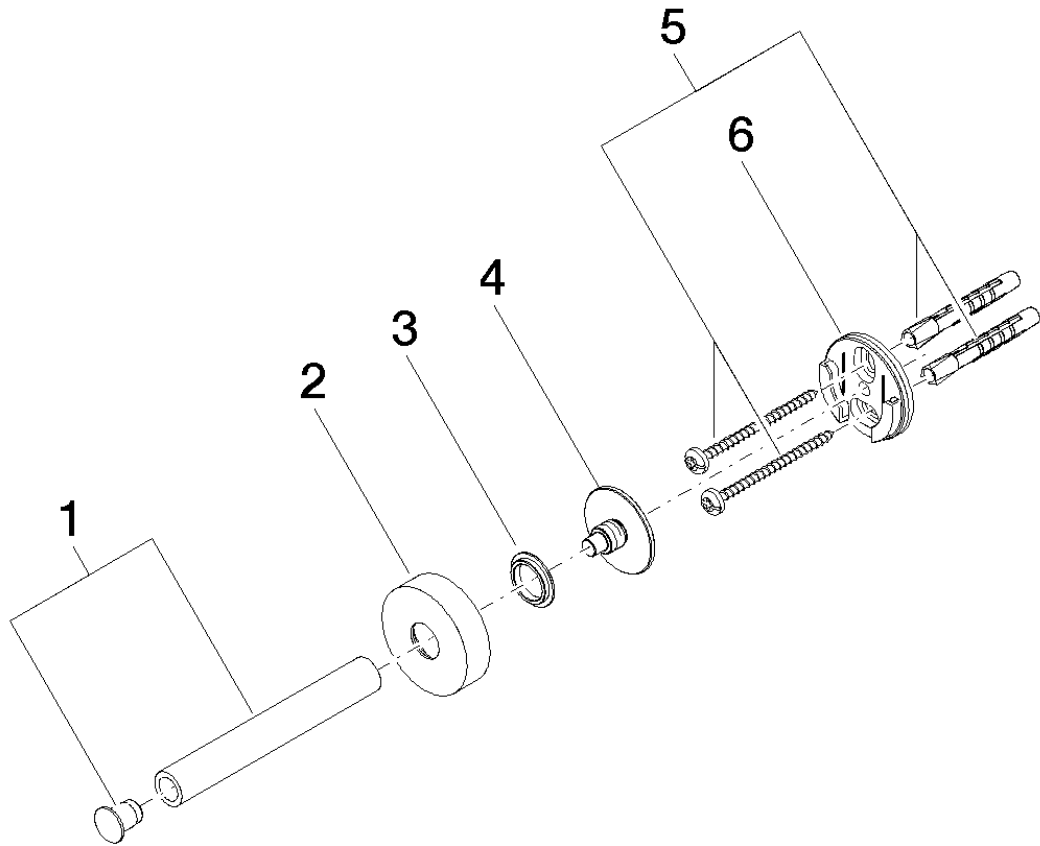
- Flange diameter 1 5/8"
- 4 1/8" projection



Surfaces

- | | |
|-----------------|-------------|
| • chrome | 83590979-00 |
| • chrome | 83590979-00 |
| • matt platinum | 83590979-06 |
| • matt platinum | 83590979-06 |

Exploded assembly drawing



Order quantity

No.	Article number	Name	Installation quantity
1	90179756700ff	holder	1
2	082797500ff	rosette	1
3	08301151690	ring	1
4	08179756090	holder	1
5	0530310250090	fixing set	1
6	08179750107	holder	1