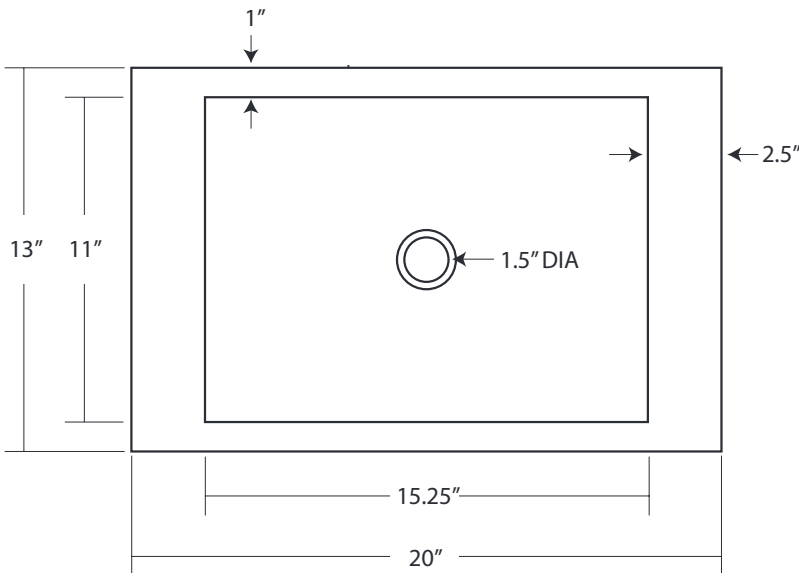


*SPECIFICATIONS FOR*  
**ECLIPSE**



CPS253 - Antique  
 CPS553 - Brushed Nickel



**PRODUCT DETAILS**

- \* 20" x 13" x 5.5" OD
- \* 15.25" x 11" x 5" ID
- \* Hand hammered 16 gauge recycled copper
- \* 1.5" drain opening
- \* Dimensions are not exact and may vary  $\pm 1/2"$

**INSTALLATION**

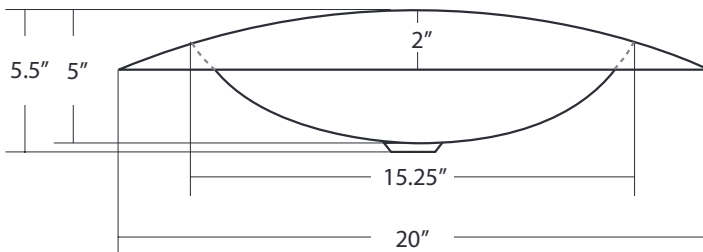
- \* Lavatory
- \* Raised Profile

**COORDINATING PRODUCTS**

- \* Drains: DR120, DR150 or DR160

**STANDARDS COMPLIANCE**

- \* IAPMO Listed / cUPC



**IMPORTANT**

Due to the handcrafted nature of this product, it will vary in finish, texture, hammering, and other details. Dimensions may vary up to 1/2". We strongly recommend that you wait for the actual product before making any installation cuts.