

**BAYLIS  
COPPER DOUBLE  
SLIPPER TUB**

Cat. No.  
COTDSN66S



L: 66"  
W: 34"  
H: 30"

Rim: 2 5/8" W  
Overflow hole: 1 3/4"  
Water depth: 13" to overflow  
Overflow: 19" from floor

The following is recommended for COTDSN tubs without faucet holes:

- Free standing faucet: **Part# 4602**
- Free standing bath supplies: **Part# 4502**
- Leg tub drain: **Part# 5599**

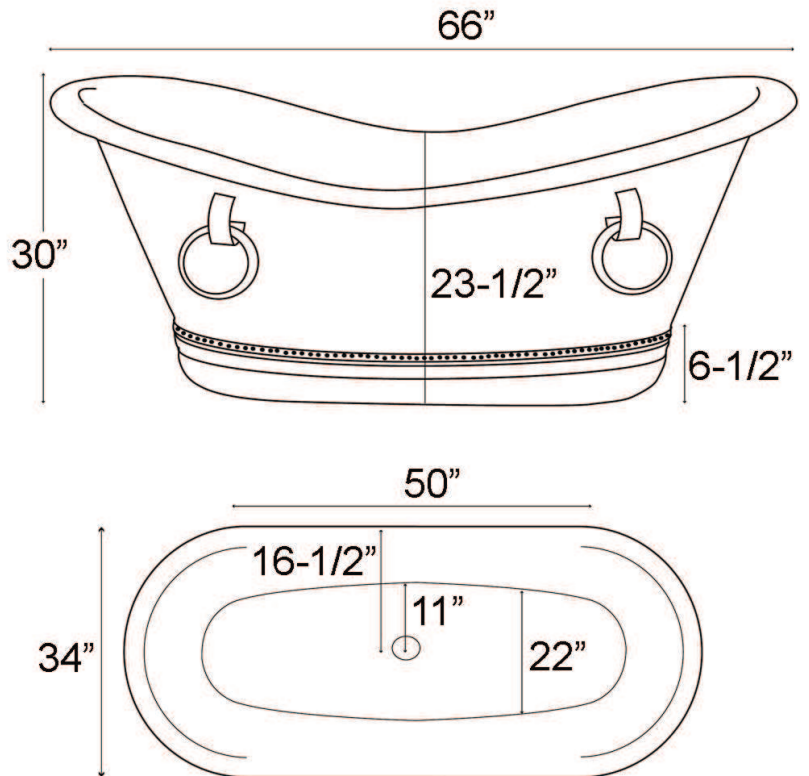
Gallon Capacity: 60  
Shipping Weight: 325 lbs.  
Empty Weight: 170 lbs.  
Filled Weight: 671 lbs.

**Features:**

- ▶ Made of 16 gauge copper  
(Copper is a living finish and will patina over time)
- ▶ Hammered antique copper inside and out
- ▶ Smooth rim and base
- ▶ Decorative hammered copper rings
- ▶ Hand polished
- ▶ Double Slipper
- ▶ Includes base
- ▶ No faucet holes

**Tub Finishes:**

**AC** Hammered Antique Copper



Dimensions and specifications subject to change without notice.