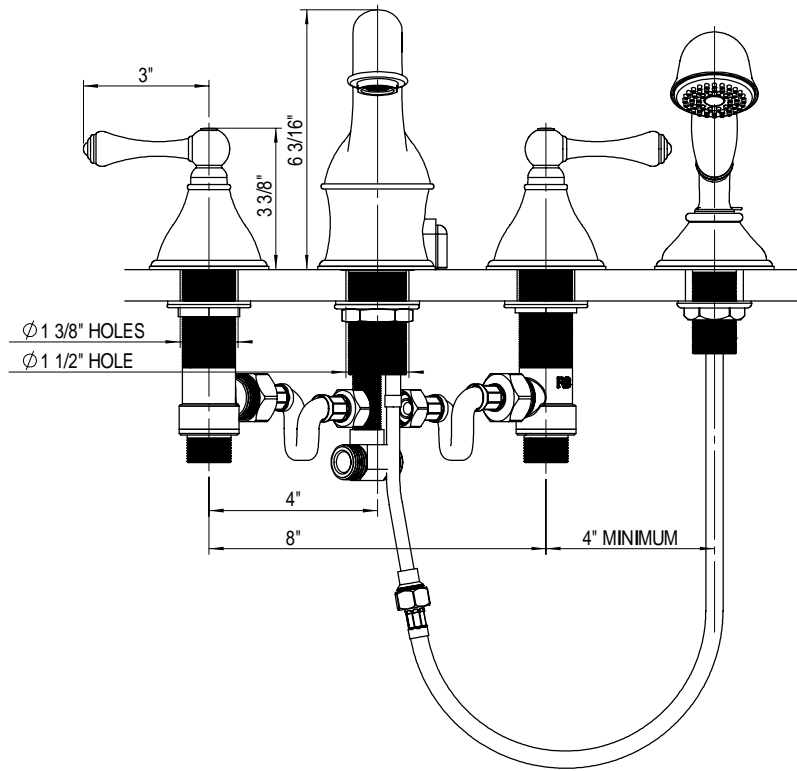
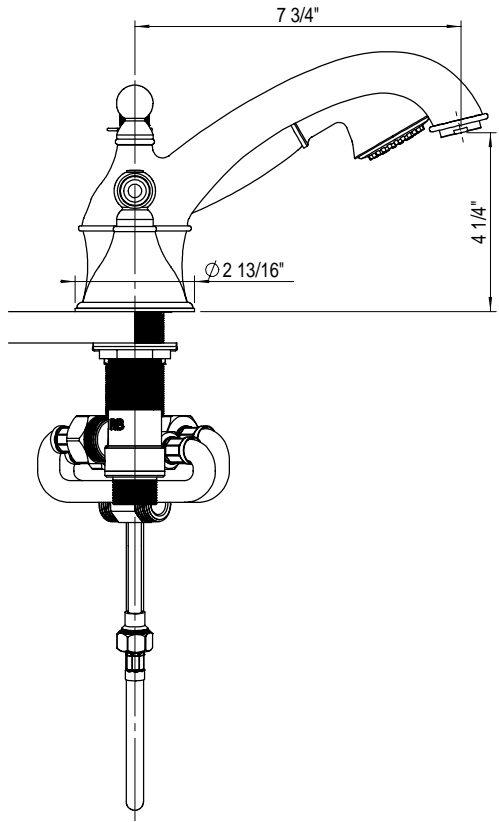


# Roman Tub Filler with Hand Shower (3/4" Valves) 5GRBFML

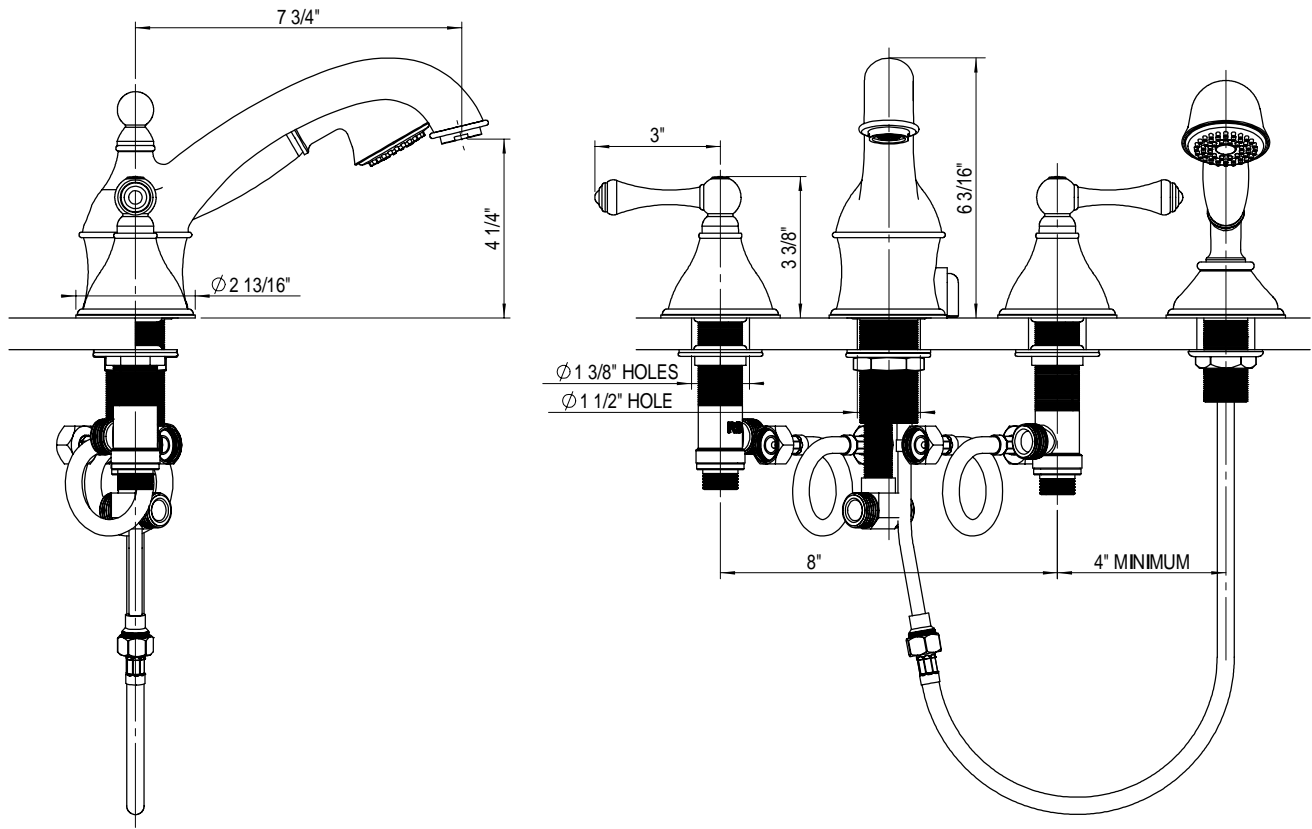


TEL: 905-851-6781  
FAX: 905-851-8031  
TOLL FREE: 800-461-5901

THE **Rubinet** FAUCET COMPANY

[www.rubinet.com](http://www.rubinet.com)

# Roman Tub Filler with Hand Shower (1/2" Valves) 5HRBFML



TEL: 905-851-6781  
FAX: 905-851-8031  
TOLL FREE: 800-461-5901

THE **Rubinet** FAUCET COMPANY

[www.rubinet.com](http://www.rubinet.com)