

Lloyd® Pressure Balance Valve Trim without Diverter

FEATURES

- For use with the TSPT/TSPTR pressure balancing valve
- Lever handle

COLORS/FINISHES

- #CP Polished Chrome
- #BN Brushed Nickel
- #PN Polished Nickel

CODES/STANDARDS

- Meets or exceeds ASME A112.18.1/CSA B125.1, ASSE 1016
- Certifications: IAPMO(cUPC), State of Massachusetts, City of Los Angeles, and others
- Code Compliance: UPC, IPC, NSPC, NPC Canada, and others
- ADA compliant



PRODUCT SPECIFICATION

Pressure balance valve trim shall be without diverter. Trim shall include front seal plate assembly. Pressure balance trim shall be TOTO Model TS930P____ and required valving shall be TSPT/TSPTR.

TS930P

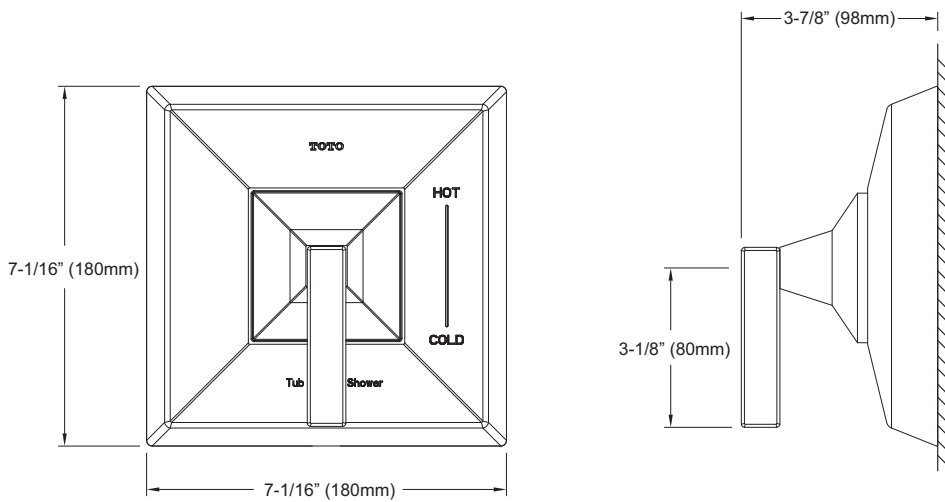
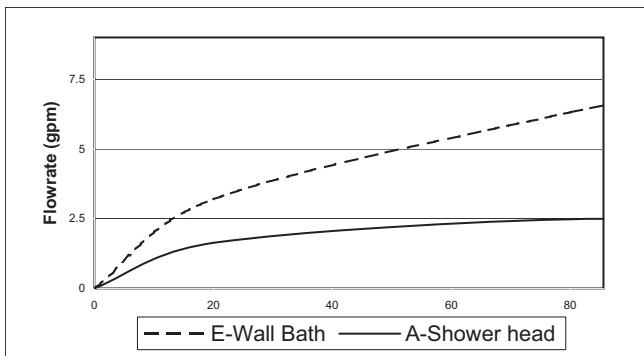
Lloyd® Pressure Balance Valve Trim without Diverter

SPECIFICATIONS

- Warranty: Lifetime Limited Warranty (Residential Use)
One Year (Commercial Use)
- Material: Brass
- Shipping Weight: 6.8 lbs.
- Shipping Dimensions: 13-3/4" L x 9" W x 4" H

INSTALLATION NOTES

VALVE REQUIRED:
Pressure balancing valve, model TSPT or TSPTR sold separately.



TOTO®

These dimensions and specifications are subject to change without notice