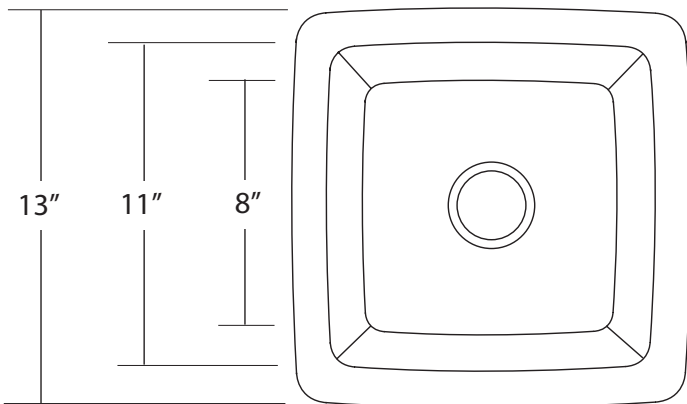


*SPECIFICATIONS FOR*  
**SMALL SQUARE**



CPS147- Natural  
CPS247- Antique  
CPS547- Brushed Nickel

**PRODUCT DETAILS**

- \* 13" x 13" x 6.5" OD
- \* 11" x 11" x 6" ID
- \* Hand hammered 16 gauge recycled copper
- \* 2" drain opening
- \* Dimensions are not exact and may vary  $\pm 1/2"$

**INSTALLATION**

- \* Undermount

**COORDINATING PRODUCTS**

- \* Drains: DR220

**STANDARDS COMPLIANCE**

- \* IAPMO Listed / cUPC

**IMPORTANT**

Due to the handcrafted nature of this product, it will vary in finish, texture, hammering, and other details. Dimensions may vary up to  $1/2"$ . We strongly recommend that you wait for the actual product before making any installation cuts.

