

# SANTA FE BASIN

Cat. No.  
4-640WH



## Above Counter Basin



### Top

Side to side: 22"  
Front to back: 12 7/8"

### Bottom

Side to side: 13 1/2"  
Front to back: 6 1/2"

Height: 5 3/8"

## Features

- ▶ Can also be used as drop-in
- ▶ Can also be used as undermount
- ▶ No overflow

## Colors

WH White

**Compliance Certification**  
Meets or exceeds the following specifications: ASME A112 (and 19.6M) for Vitreous china fixtures.

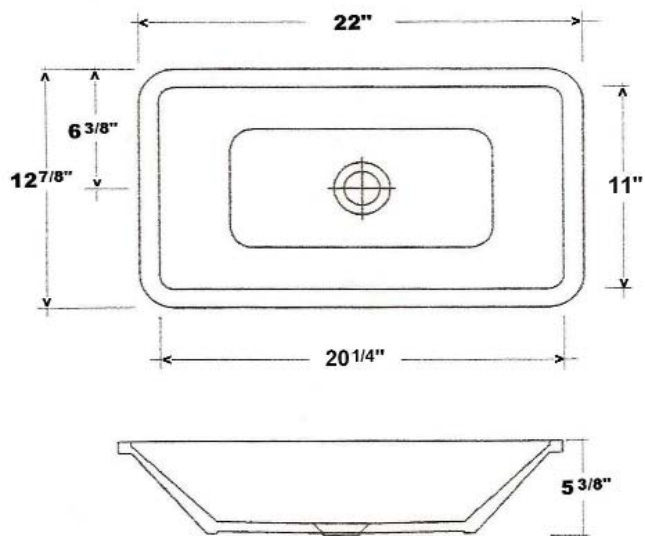
### Inside Bowl Dimensions

Top of bowl: 19 3/4" x 10 1/2"

Bottom of bowl: 14" x 6"

Depth: 4 3/8"

Top of bowl to bottom of drain hole: 5"



Dimensions of fixture are nominal and may vary within the range of tolerances established by ANSI Standard A112.19.2. Dimensions and specifications subject to change without notice.