

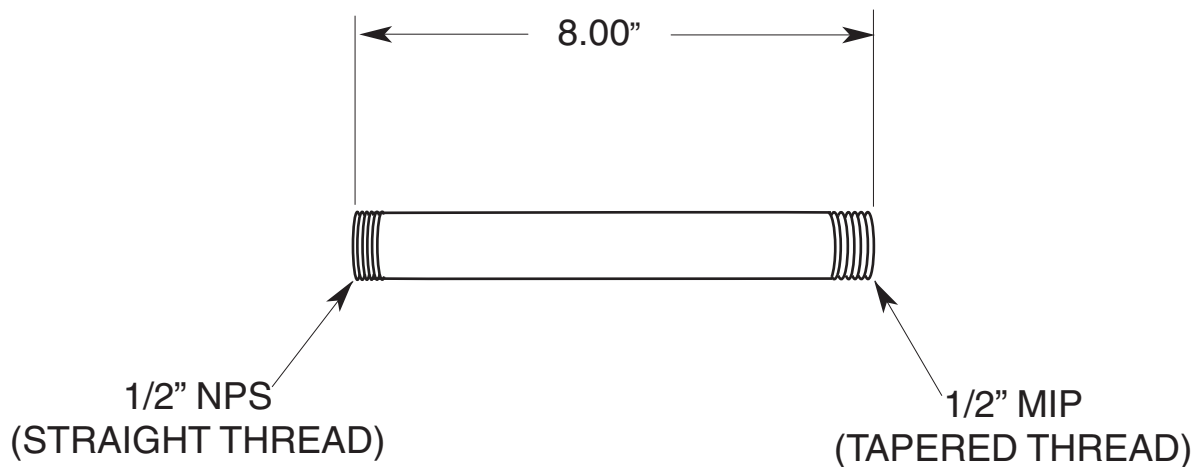
FEATURES:

- All brass construction
- Available in all Sigma finishes
- Meets: ASME A112.18.1-2005 / CSA B125.1-2005

Specifications
Shower Arm

1/2" x 8" Straight Shower Neck
Ceiling Mount

18.10.140



Note: Measurements are subject to change or cancellation. No responsibility is assumed for use of superseded or voided pages.