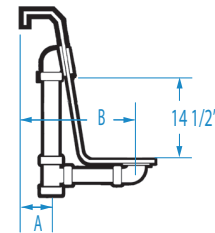
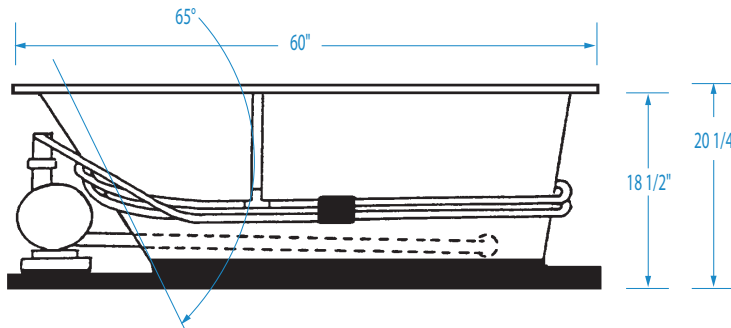
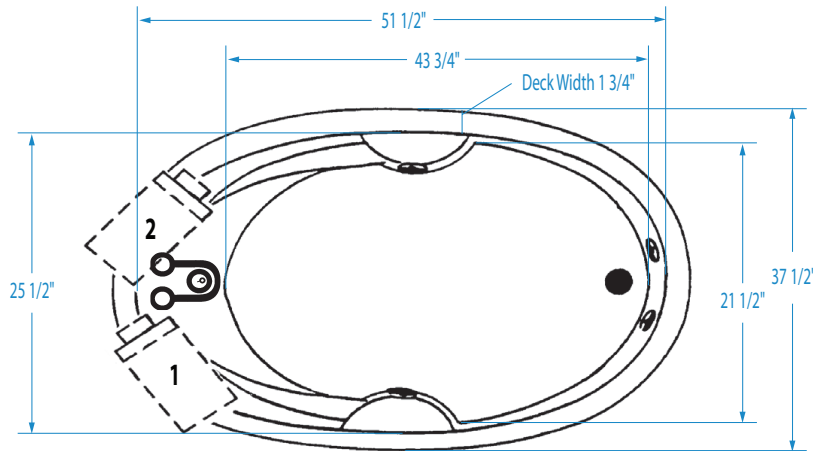


SAN SIMEON

60 x 37 ¾ x 20 ¼ (1525 x 960 x 510)
inches (mm)



Note: For Air-whirlpool, no alternate pump/blower location available.



Note: Tub Only units do not come standard with the Pre-leveled ABS Support Base.

FEATURES lbs (kg) Dimensional Tolerance ± 3/8". Dimensions needed for site preparation should be measured from the unit. Aquatic assumes no responsibility for preparatory work.

Type and Model #	Material	Jets	Pump	Air System	Blower	Heater	Controls	Drain	Pkg. Wt.
Soaker #AI6038OTO	Acrylic	0	-	-	-	-	-	Universal	139 (63)
Whirlpool #AI6038O	Acrylic	7	1.75 HP	-	-	1.5 kw Inline (optional)	Electronic	Universal	179 (81)
Air-Whirlpool #AI29LUX6038	Acrylic	7	1.75 HP	Channel	Variable speed	1.5 kw Inline	Electronic	Universal	209 (95)

DIMENSIONS inches (mm)

Width Overall / Net	Depth Overall / Net	Height Overall / Net	Skirt Height
60 (1525)	37 ¾ (960)	20 ¼ (510)	-

SUMP DATA inches (mm)

Capacity to Overflow gal (ltr)	Min. Operating Capacity gal (ltr)	WIDTH @ centerline		DEPTH @ centerline	
		Top	Bottom	Top	Bottom
60 (227)	41 (155)	51 ½ (1310)	43 ¾ (1110)	25 ½ (645)	21 ½ (545)

PLUMBING DIMENSIONS inches (mm)

A	B	Drain Diameter / Clearance
2 ½ (65)	9 ¾ (240)	2 (50) / 1 ¾ (45)

ELECTRICAL DATA

Component	Specification	Requirement
Pump	1.75 HP; 12 AMP; 120V	15 AMP; 120V, separate circuit; Class A GFCI
Optional Heater	1.5 kW; 12 AMP; 120V	15 AMP; 120V, separate circuit; Class A GFCI
Blower	1.0 HP; 9.5 AMP; 120V	15 AMP; 120V, separate circuit; Class A GFCI

NOTES:

1) Where applicable, utilize cut-out templates packed with unit for deck cutouts.

2) 16 x 16 (405 x 405) minimum access required at pump/blower location(s).

NOTE:

1) This whirlpool must be hard wired to the breaker box. Three outlets will be supplied on the air-whirlpool.