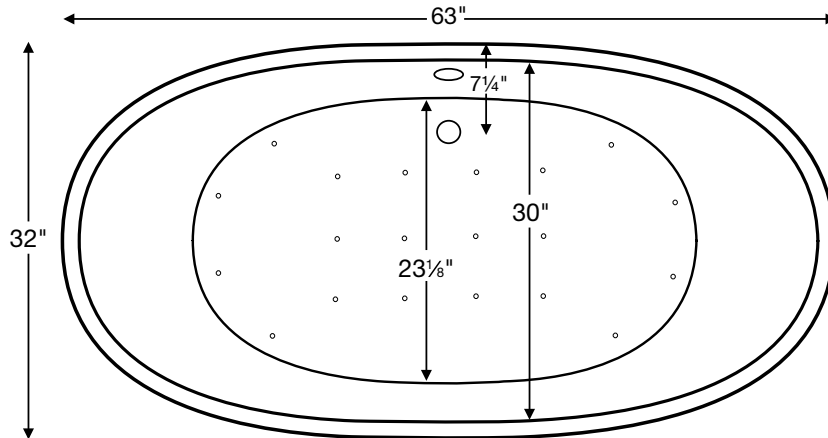




Elise 2

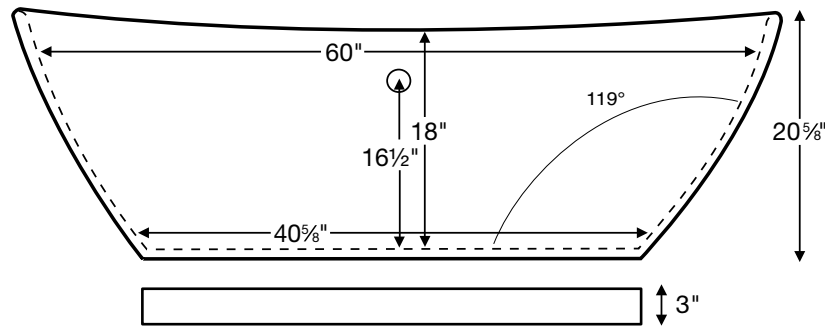
63" x 32" x 20.625"

Installation:
Freestanding



SEE IMPORTANT ORDERING & INSTALLATION INFORMATION BELOW

Shown above as an Air Bath.



IMPORTANT:
Pedestal base increases
overall tub height by 3".

One-piece pedestal base available in Engineered Solid Stone.
Standard with Air Bath; optional with Soaker.

GENERAL SPECIFICATIONS:

Material	Engineered Solid Stone (ESS)
Soaker Weight	175 lbs / 79 kg
Air Bath Weight	205 lbs / 93 kg
Maximum Fill	74 gal to overflow

NOTE: Filling this tub to the maximum may require an above average size or dedicated water heater.

Not recommended as a tub / shower combination

ELECTRICAL SPECIFICATIONS:

Required Electrical Service	110 Volt
Air Bath	1-15 amp GFCI

CSA Certified C/US; ANSI Z124.1

IMPORTANT ORDERING & INSTALLATION INFORMATION:

- Requires partial or complete sub-floor drain installation. See installation manual for important installation information.
- When tub includes a pedestal base, overall height increases by 3".
- Pedestal base for a 'soaker' must be ordered at time of initial tub purchase to ensure proper fit & finish.
- Drain kits, faucet stands, bathroom table and air bath components (if applicable) are packaged inside the tub crate for delivery.
- Optional floor-mounted high-flow tub filler and teak bath tray ship via FedEx.
- For air baths: the blower and required check valve must be remote mounted. Check valve must be installed higher than the rim of the tub. The keypad is shipped loose and may be mounted on a nearby wall or decking. A waterproof remote control is also included.
- Tub is pre-drilled with an overflow, but can be specified without (see local codes).
- Requires use of a wall-mounted or freestanding tub filler.
- Measurements are $\pm 1/2"$ and are subject to change without notice.
- Data herein supersedes all prior to publication date shown below.

See the "Boutique Collection Tubs Installation & Operation Manual" included with tub delivery or go to mtibaths.com/support/installation_operation/manuals for all the information necessary to install and operate the tub.

MTI's Customer Service Department is available Monday-Friday 8am-6pm EST at 800-783-8827 or customerservice@mtibaths.com to answer any questions pertaining to ordering or installation.