

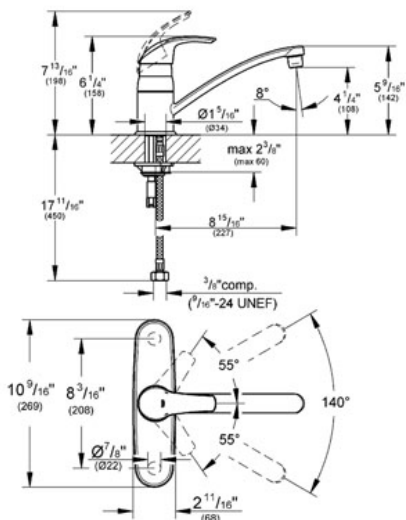
# EUROSMART Single-lever sink mixer 1/2"

MODEL # 31133

Pure Freude an Wasser



GROHE America, Inc | 200 North Gary Avenue, Suite G, Roselle, IL 60172  
Phone: +1 (800) 444-7643 | Fax: +1 (800) 225-2778 | us-customerservice@grohe.com



ADA

**Product Description:**  
Single-lever sink mixer 1/2"

**Standard Specification:**

- GROHE StarLight® finish
- GROHE SilkMove® ceramic cartridge
- Single hole installation
- Metal lever
- Adjustable flow rate limiter
- Adjustable minimum flow rate approx. 1.0 gpm
- Swivel Spout
- Swivel area 140°
- Flow control
- Stainless Steel Braided Flexible Supplies
- Quick installation system
- Max Flow Rate 1.75 gpm (6.6 L/min)

**Applicable Codes & Standards:**

- Energy Policy Act of 1992
- NSF 61
- ASME A112.18.1/CSA B125.1
- US Federal and State material regulations
- ICC/ANSI A117.1
- CalGreen

**Color:**

- 31133 001 chrome
- 31133 10E chrome

