

iDream Package™

Innovation, Luxury and Ease

All the components of an exquisite steam system combined to create the convenience and comfort of a home spa retreat.

iDream Package™

For units MS 90 through MS Super 3

- (1) iSteam™ Touch Control
- (1) Matching iSteam® Steamhead
- (1) iGenie® Remote Control
- (1) AudioWizard™ Sound System
- (1) Pair of Square Music Therapy Speakers
- (1) ChromaSteam® Mood Lighting System
- (1) AromaSteam Oil Delivery System
- (1) AutoFlush® System
- (1) Drip Pan

iDream Package™ 2

For units Super 4, 5, and 6

- (1) iSteam™ Touch Control
- (2) Matching iSteam® Steamheads
- (1) iGenie® Remote Control
- (1) AudioWizard™ Sound System
- (1) Pair of Square Music Therapy Speakers
- (1) ChromaSteam® Mood Lighting System
- (1) AromaSteam Oil Delivery System
- (2) AutoFlush® Systems
- (2) Drip Pans

iSteam, iGenie and speakers are available in black and white.

iSteam™ Touch Control



iGenie® Control



AudioWizard™ System



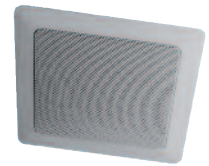
AromaSteam System



iSteam™ Steamhead



In-Shower Speakers



ChromaSteam® System



AutoFlush® System



Drip Pan



NOTE: FOR ILLUSTRATIVE PURPOSES ONLY

IMPORTANT: See the Installation, Operation and Maintenance Manuals for details.

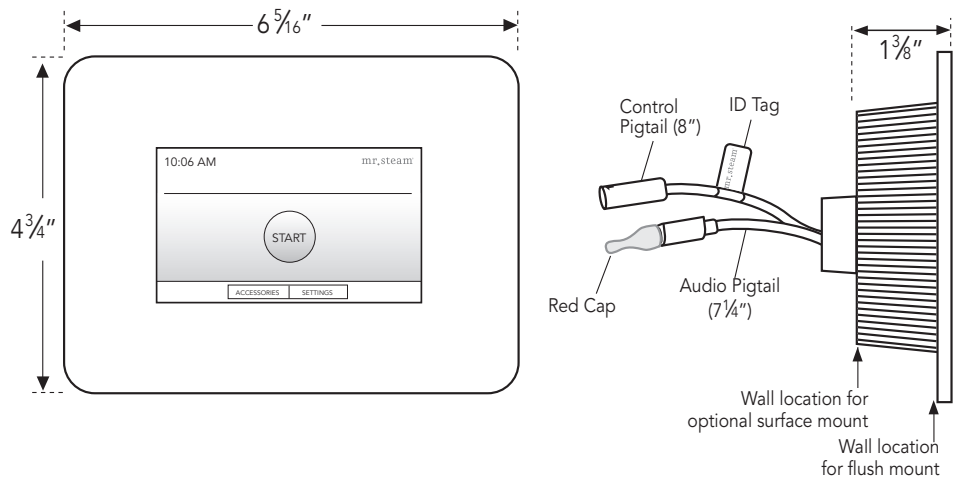
Click here to download this manual: <http://www.mrsteam.com/support/downloads.html>

iSteam® Control

Box Contents:

- iSteam® Control
- Owner's Manual
- Control Cable (30 ft.)
- Rough-In Box
- Steamhead
- Optional Surface
- Tube of Silicone Sealant Mount Gasket

Dimensional Information



iSteam controls flush mount in the steam/shower enclosure through a 5-1/4" wide x 3-9/16" high hole. iSteam controls can also be surface mounted. They are suitable for use with an available iGenie™ control. Available in black or white.

iSteam controls are suitable for use inside or outside the steam/shower enclosure, featuring:

- Full color LCD touch screen
- Programmable temperature
- Programmable time
- Two user presets
- Control AromaSteam, ChromaSteam® and AudioWizard™
- Passcode to prevent unintentional use of steam bath
- Includes AromaSteam steam head in white or black
- Compatible with iGenie™
- Low voltage operation

The iSteam controls are designed to be installed inside or outside the steam room but is primarily installed inside the steam room. If the control is installed inside the steam room the control must be located:

- 4-5 feet above the floor
- In a location representative of the desired steam bathing temperatures near the bather seating area. Do not locate the control above or near the steam head or direct steam emissions.
- On a vertical wall

The control cable length is 30 feet. Insure that the control and/ or steam generator are located accordingly. If the control is installed outside the steam room a Remote Temperature Probe Part Number iMSTS must be installed inside the steam room.

NOTE: FOR ILLUSTRATIVE PURPOSES ONLY.

IMPORTANT: See the iSteam Control Installation, Operation and Maintenance Manual, PUR 100477 for details.

Click here to download this manual: <http://www.mrsteam.com/support/downloads.html>

Steamhead

ROUND 103937 / SQUARE 104040 / ISTEAM104104

For remote starting of Mr. Steam® steam generator and pre-heating of steam/shower from outside the steam room from almost any location within the home. Uses no additional electrical energy, provides remote start-up at the touch of a finger.

Installing the Round & Square AromaSteam Steamhead

STEAM HEAD INSTALLATION (1/2" NPT)

IMPORTANT: Do not disassemble steamhead. Mr.Steam's steamhead is shipped fully assembled and requires no additional assembly.

CAUTION Because the steam head and direct steam emissions are very hot, locate the steam head where incidental contact by bather with the steam head or direct steam emission cannot occur.

NOTE: A 1.5" clearance hole around the steam pipe is needed to mount the steamhead.

Locate steam head 6-12 inches above floor, except for:

- Tub/shower enclosures, install 6 inches above tub top edge.
- For enclosures with acrylic or other non-heat resistant flooring install Acrylic Shield Part Number 103938 /10398SQ

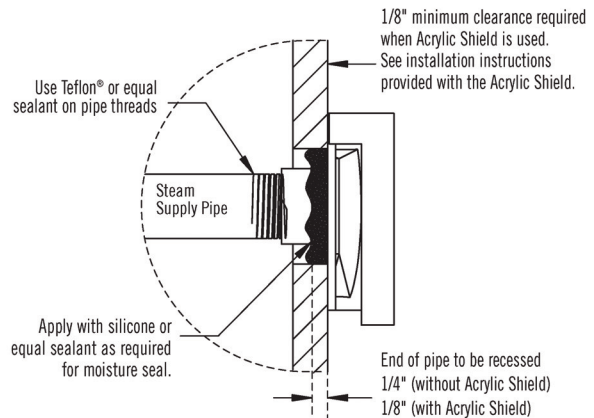
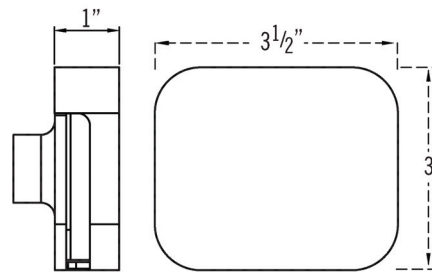
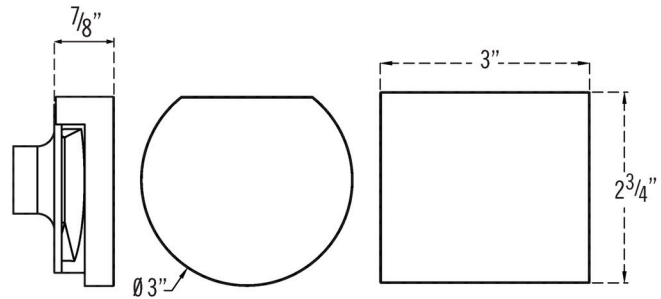
IMPORTANT NOTE: To preserve steam head finish, do not use wrench or other tools to tighten. DO NOT use abrasive cleansers or chemicals. Use only water with mild soap and a non-abrasive sponge.

CAUTION Consult with supplier of acrylic, fiberglass and other non-heat resistant enclosures for recommended steamhead location. Use Acrylic Shield PN 103938 /10398SQ. See instructions provided with steam shield. (An acrylic shield is not available for the iSteam steamhead.)

NOTE: FOR ILLUSTRATIVE PURPOSES ONLY.

IMPORTANT: See the Mr. Steam Installation, Operation and Maintenance Manual, PUR 100472 for details.

Click here to download this manual: <http://www.mrsteam.com/support/downloads.html>



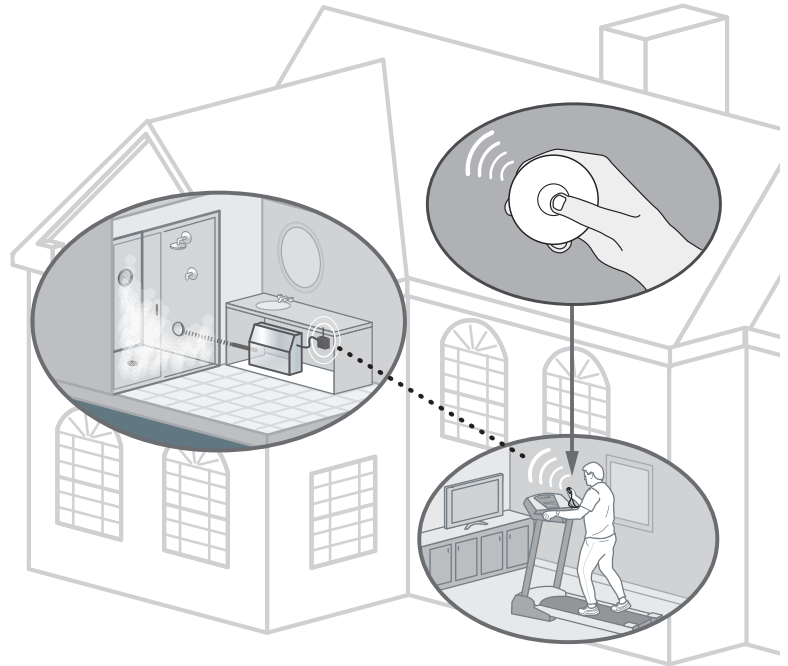
iGenie™

BOX CONTENT

- iGenie™
- iGenie Wall Mount
- Interface Module
- 5 ft. Module Connection Cable
- 2 Module mounting Screws
- Installation and Operation Instructions

iGENIE INTERFACE MODULE INSTALLATION

- Connect the iGENIE INTERFACE MODULE to the generator by plugging in the provided 5 foot cable to the iGENIE INTERFACE MODULE and the Steam Genie connector on the side of the generator as shown.
- Mount the iGENIE INTERFACE MODULE in a dry, indoor location. For maximum range, the Steam Genie Interface Module should be mounted as high as practical and away from metal that could effect the radio signal. Securing it to a nearby wood stud is ideal. The antenna should be pointing upwards.



iGENIE OPERATION

- When the Steam Genie FOB light is off, press the button once and the Steam Genie FOB light indicates if the steam is on or off. When you press the button, the light will momentarily twinkle between red and green. A red light indicates that the steam is off and a green light indicates that the steam is on.
- To turn the steam on or off, press the ON/OFF button again while the light is illuminated. After a short delay the light will change from red to green (steam on) or green to red (steam off).

NOTE: FOR ILLUSTRATIVE PURPOSES ONLY.

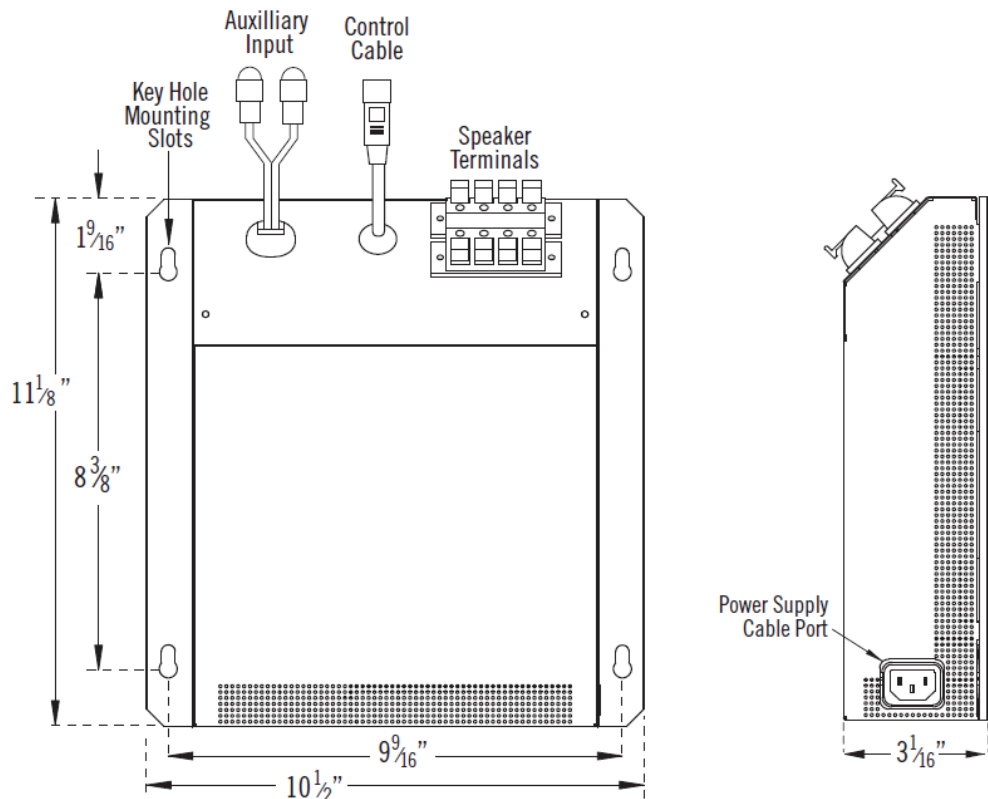
IMPORTANT: See Mr.Steam® Steam Genie Installation, Operation and Maintenance Manual, PUR 100449, for details.

Click here to download this manual:

<http://mrsteam.com/products/technical-downloads.html>

AudioWizard

- For use with any shower
- Accepts most sources of audio input
- Equipped with a Bluetooth V 2.0 A, AVDTP transceiver
- Designed to operate with up to 4 speakers
- Speaker Impedance: 8 Ohm
- Can be controlled with the iSteam steambath control or with the AudioWizard stand-alone control
- Maximum power output: 40W x 4 ch (160W total)
- Input Voltage: ~120VAC 50-60Hz
- 10 & 1/2" x 11 & 1/8" x 3 & 1/16"



NOTE: FOR ILLUSTRATIVE PURPOSES ONLY.

IMPORTANT: See the Mr.Steam AudioWizard Installation & Operating Manual for details.
 Click here to download this manual: <http://www.mrsteam.com/products/technical-downloads.html>

Music Therapy Speakers, Round & Square

- Designed for use inside or outside the shower enclosure
- Ceiling, flush mount
- Square 7.06" x 7.06" Round: 6.5" diameter
- Two-way marine-grade speakers, polypropylene cones
- ABS frames with white powder-coated grills
- Suitable for most sources of audio input
- Rated 60W peak power with full range sound
- 30 watts RMS and 8 ohm impedance
- For use in any shower

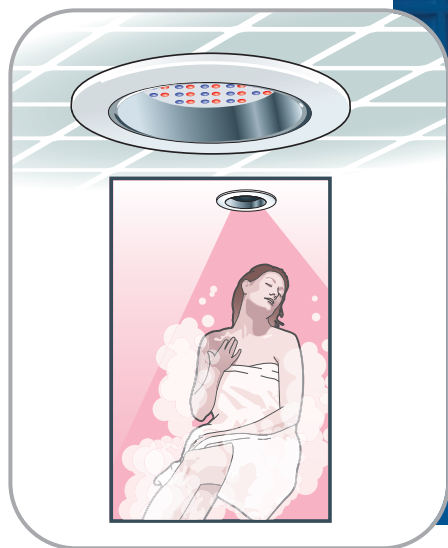


NOTE: FOR ILLUSTRATIVE PURPOSES ONLY.

IMPORTANT: See the Mr.Steam Speaker Installation & Operating Manual, PUR 100401 for round, 100401SQ for square, for details.

Click here to download this manual: <http://mrsteam.com/products/technical-downloads.html>

ChromaSteam™



Box Contents

The MS Chroma includes all of the following:

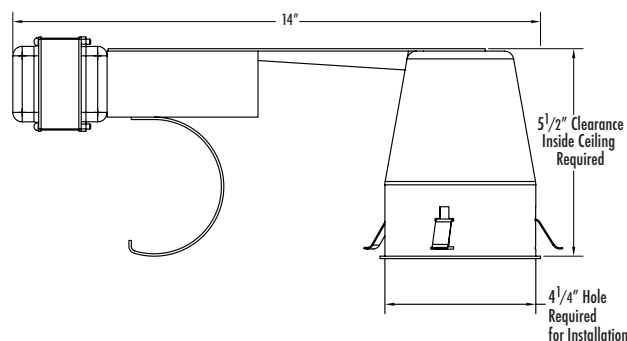
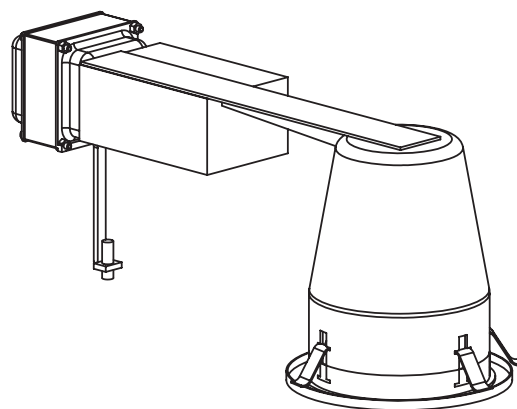
- 1 Installation and Operation Manual
- 1 Light Fixture, Lens & LED Cluster
- 1 Tube of Silicone
- 1 9 m. cable for use with eTEMPO/PLUS

IMPORTANT NOTE: Chromasteam™ System is for mood lighting only and not a substitute for general illumination.

The ChromaSteam is rated 14.4 watts at 120 VAC

Depending on the installation, the user can select from the following color modes using either a standard wall switch or the CHROMA button on their eTempo Plus control.

- | | |
|-----------------|--------------------------------------|
| a. Bright White | f. Green |
| b. Blue/Green | g. Red |
| c. Violet | h. Chameleon (slow automatic cycle) |
| d. Blue | i. Party Mode (fast automatic cycle) |
| e. Yellow | |



NOTE: FOR ILLUSTRATIVE PURPOSES ONLY.

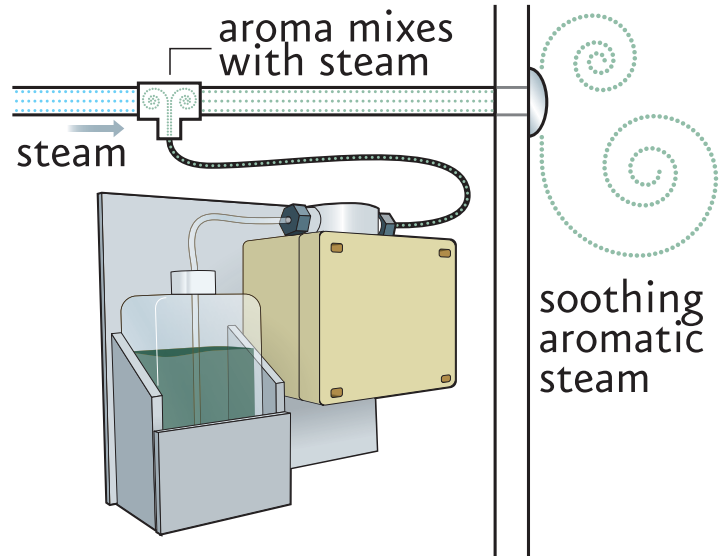
IMPORTANT: See Mr.Steam® ChromaSteam Installation, Operation and Maintenance Manual, PUR 100404, for details. Click here to download this manual:
<http://mrsteam.com/products/technical-downloads.html>

AromaSteam™

CONTENTS:

- Pump and integral bracket
- 6 feet of pressure hose
- 2 feet of suction hose
- Filter
- Atomizing Nozzle
- Demand Button
- Installation and Operation Manual

- Electronic oil delivery system evenly infuses scent into steam
- Complete with hoses, fittings and oil atomizer
- Can be controlled directly from an eTEMPO/Plus® keypad
- AromaSteam System oils available in one-liter bottles.
- The AromaSteam is rated 12 watts at 120 VAC
- The pump and integral bracket is 7" long x 6.5" wide x 4.5" high.
- cULus Listed



OPERATION

ETEMPO/PLUS

1. Press the AROMA button on the eTempo/Plus control (Aroma will appear in the display).
2. When the generator is steaming the pump will inject oil into the steam line at preset time intervals.
3. If the generator is not steaming, no oil will be pumped.

TEMPO, TEMPO/PLUS AND ETEMPO

1. With the generator on press the demand button once (the demand button will light up).
2. When the generator is steaming the pump will inject oil into the steam line at preset time intervals.
3. If the generator is not steaming, no oil will be pumped.

NOTE: After the generator has been turned off the light on the demand button will remain ON, the pump will be in stand-by mode waiting for the generator to be turned on again.

NOTE: FOR ILLUSTRATIVE PURPOSES ONLY.

IMPORTANT: See Mr.Steam® AromaSteam Installation, Operation and Maintenance Manual, PUR 100402, for details. Click here to download this manual:
<http://mrsteam.com/products/technical-downloads.html>

AutoFlush®

AutoFlush Shown Fully Assembled

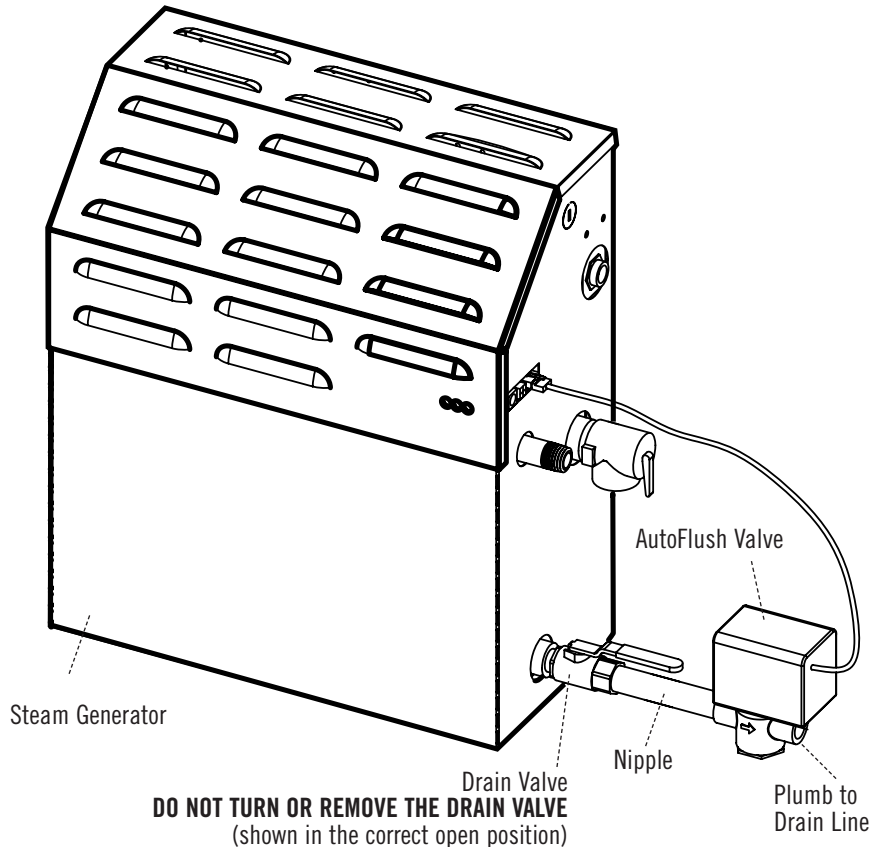
Box Contents

- AutoFlush Valve with Cord
- Installation instructions

Operation

The optional AutoFlush System feature automatically drains the Mr.Steam® system following each use. A time delay allows the water to cool down (about two hours) before it drains by gravity for a safe and gentle operation.

Note: If the Express Steam® option has been installed, the AutoFlush will drain for ten minutes then refill with fresh water to begin the pre-heat cycle.



Our exclusive AutoFlush® automatically and electronically drains the system, providing CleanSteam... Every Time® and introduces fresh water.

NOTE: FOR ILLUSTRATIVE PURPOSES ONLY.

IMPORTANT: See the Mr. Steam Installation, Operation and Maintenance Manual, PUR 100472 for details.

Click here to download this manual: <http://www.mrsteam.com/support/downloads.html>

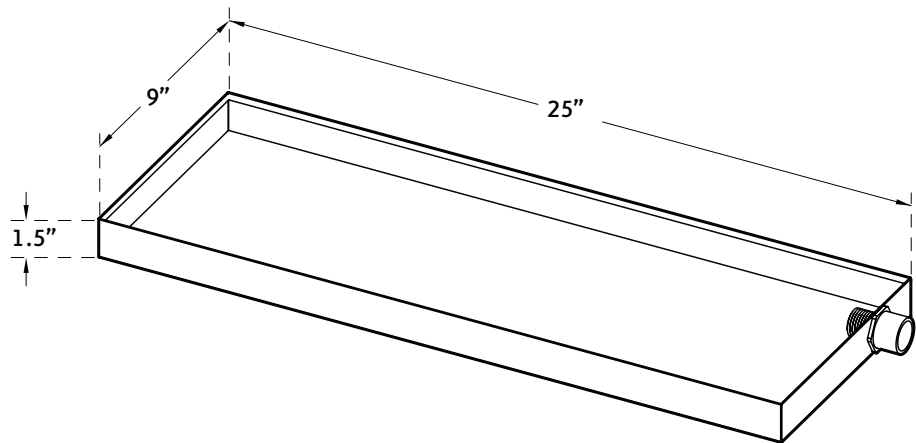
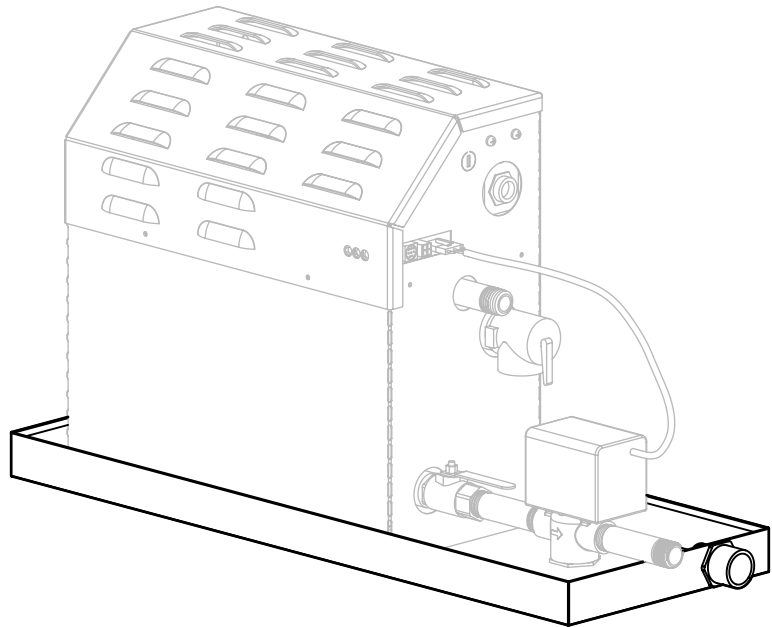
Drip Pan MS 103867

Mr. Steam strongly recommends the use of a drain pan in the unlikely event of a plumbing leak.

Locate the drain pan on a solid level surface and place the steam generator inside the drain pan. Insure the steam generator is level.

All plumbing shall be performed by a qualified licensed plumber and in accordance with applicable national and local codes. Check local plumbing code for receptor, trap and vent requirements. Drain pans drain by gravity.

The drain pan is equipped with an integral 3/4" NPT fitting.



NOTE: FOR ILLUSTRATIVE PURPOSES ONLY.

IMPORTANT: See the Mr. Steam Installation, Operation and Maintenance Manual, PUR 100472 for details.

Click here to download this manual: <http://www.mrsteam.com/support/downloads.html>