

FEATURES:

This product meets and exceeds the following codes and standards

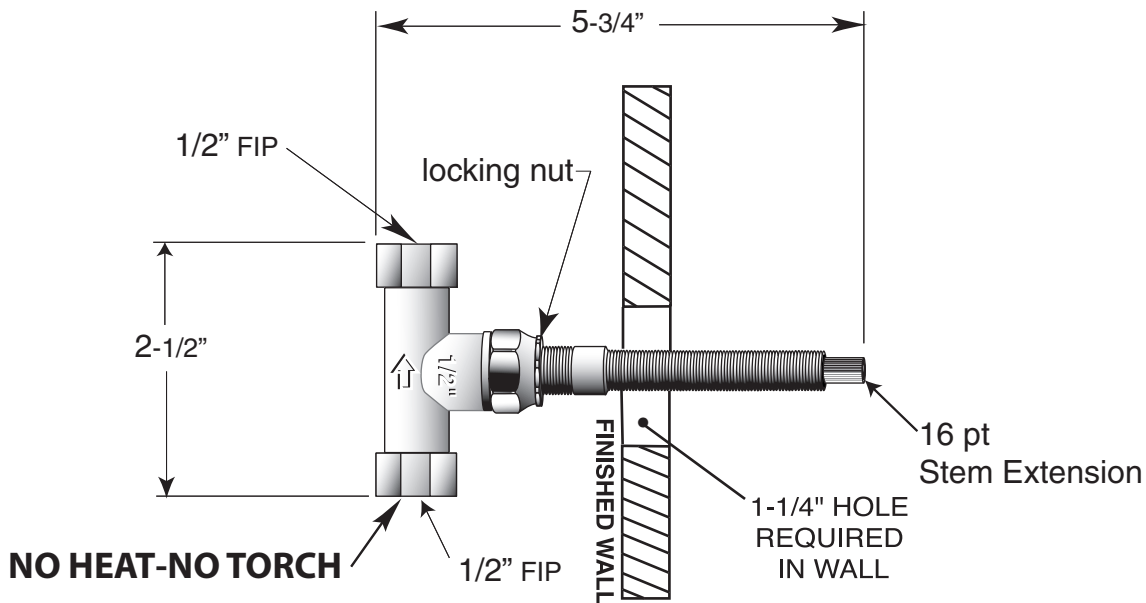
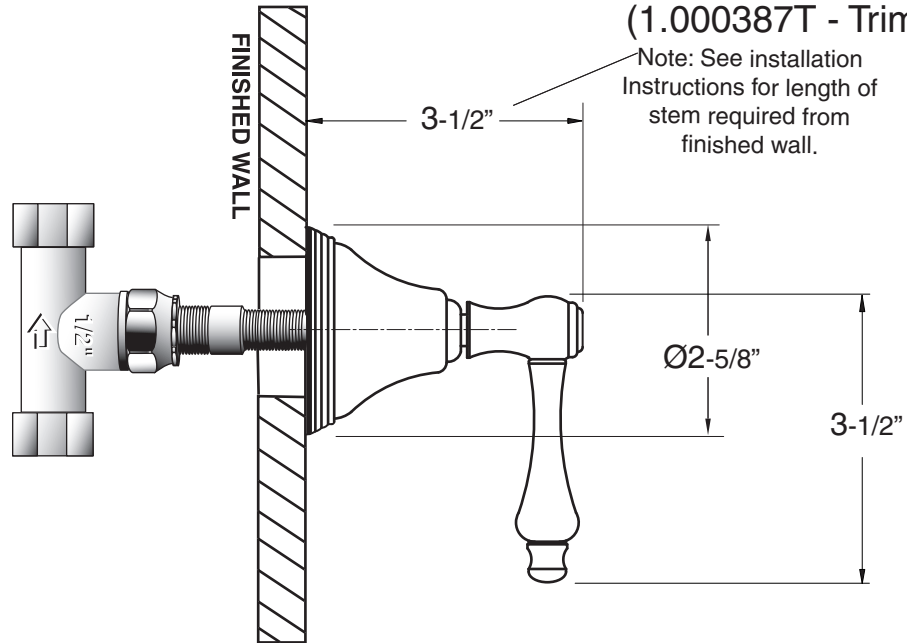
- Meets: ASME A112.18.1-2005/CSAB125.1-2005
- Replacement Cartridge: No. 18.30.036

1/2" In-Line Shut-Off

Valve & Trim
1.000387
Lexington Handle

(1.000387T - Trim Only)

Note: See installation instructions for length of stem required from finished wall.



Note: Measurements are subject to change or cancellation. No responsibility is assumed for use of superseded or voided pages.