

Maris™ Semi-Recessed Vessel Lavatory

FEATURES

- 19-1/2" x 15-5/32"
- Vitreous china
- SanaGloss® ceramic glaze - prevents debris and mold from sticking to ceramic surfaces, leading to fewer chemicals and less water in cleaning
- Rear overflow
- Installation template included

MODELS

- LT480G
Lavatory with SanaGloss (#01, #03, #11, #12)
- LT480
Lavatory (#51)



SanaGloss

COLORS/FINISHES

- Standard
 - #01 Cotton
 - #03 Bone
 - #11 Colonial White
 - #12 Sedona Beige
 - #51 Ebony

PRODUCT SPECIFICATION

This semi-recessed vessel lavatory shall be made of vitreous china. Lavatory shall be 19-1/2" x 15-5/32". Product shall be with rear overflow. Lavatory shall have SanaGloss ceramic glaze (except #51 Ebony). Lavatory shall be ADA compliant. Lavatory shall be TOTO Model LT480_____.

CODES/STANDARDS

- Meets and exceeds ASME A112.19.2/CSA B45.1
- Certifications: IAPMO(cUPC), State of Massachusetts, City of Los Angeles, and others
- Code compliance: UPC, IPC, NSPC, NPC Canada, and others
- ADA compliant



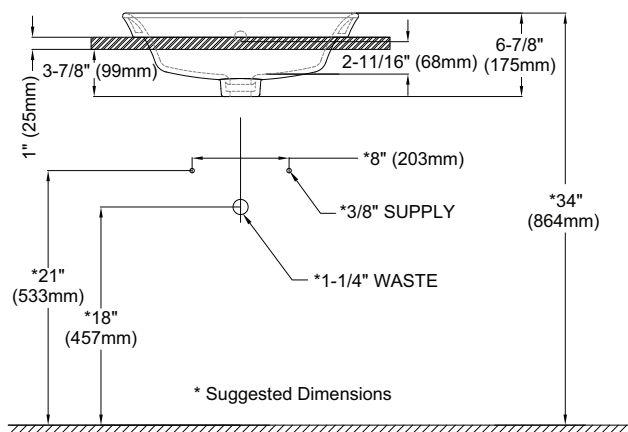
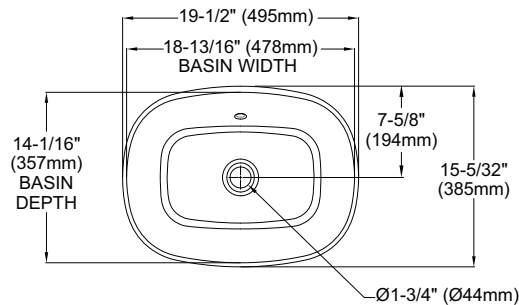
LT480(G)

Maris™ Semi-Recessed Vessel Lavatory

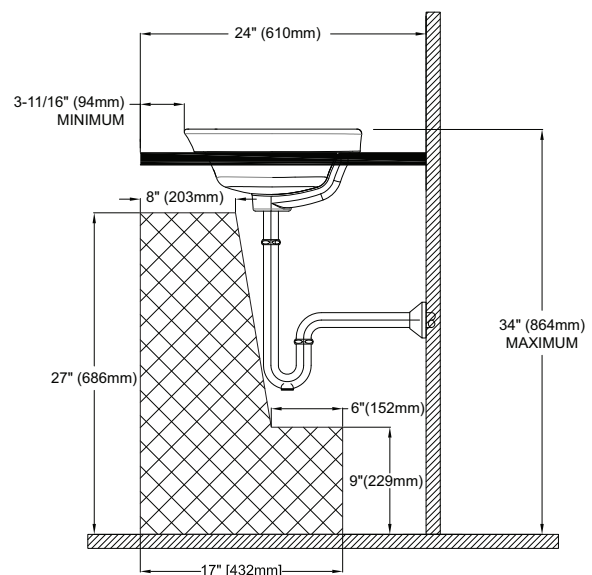
SPECIFICATIONS

- Waste 1-1/4" O.D.
- Size 19-1/2"W x 15-5/32"D
- Basin 18-13/16"W x 14-1/16"D
- Warranty One Year Limited Warranty
- Material Vitreous china
- Shipping Weight 22.6 lbs.
- Shipping Dimensions 20-3/4" x 16-3/8" x 8-3/8"

INSTALLATION NOTES



ADA Compliance



TOTO®

These dimensions and specifications are subject to change without notice

Ph: (888) 295-8134 | Fax: (800) 699-4889 | www.totousa.com

#SS-00569 v.01

Printed in U.S.A. | © TOTO LTD. 04/11 | Printed on recycled paper ♻️