

ELKAY[®]

SPECIFICATIONS

Lustertone[®] Undermount Single Bowl Sink Models ELU1317 and ELUH1317

GENERAL

Highest quality sink seamlessly drawn of #18 gauge, type 304 (18-8) nickel bearing stainless steel. Underside of sink is fully protected by heavy duty Sound Guard[®] undercoating. Designed to accept waste disposer.

DESIGN FEATURES

Bowl Depth: 7-1/2".

Finish: Exposed surfaces are hand blended to a lustrous high-lighted satin finish. ELUH1317 has highlighted inside top bowl radius.

Underside: Underside of sink is fully protected by heavy duty Sound Guard[®] undercoating to prevent condensation and deaden sound.

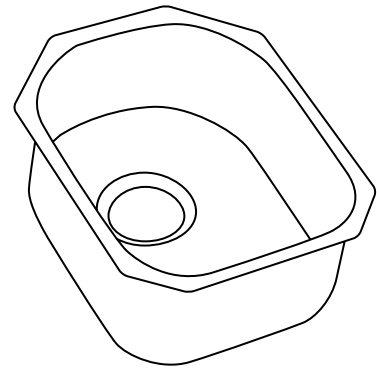
OTHER

Drain Opening: 3-1/2".

NOTE: All Elkay custom design undermount sinks are designed to affix easily to the underside of any solid surface countertop.

Installation: See illustrated profile below.

These sinks comply with ANSI Standard A112.19.3M.



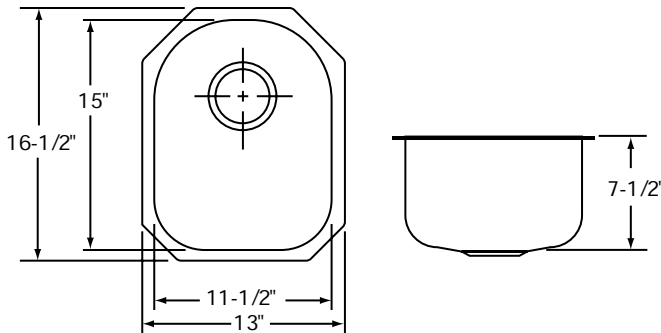
Model ELU1317

SINK DIMENSIONS (INCHES)*

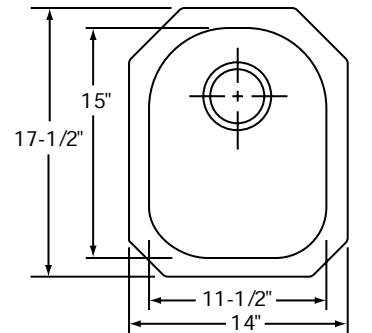
| Model Number | Overall | | Inside Bowl | | | Cutout in Countertop | Minimum Cabinet Size | Ship. Wt. Lbs. |
|--------------|---------|--------|-------------|----|-------|----------------------|----------------------|----------------|
| | L | W | L | W | D | | | |
| ELU1317 | 13 | 16 1/2 | 11 1/2 | 15 | 7 1/2 | See Template** | 18 | 9 1/2 |
| ELUH1317 | 14 | 17 1/2 | 11 1/2 | 15 | 7 1/2 | | 18 | 9 1/2 |

*Length is left to right. Width is front to back.

**Template and countertop mounting clips are packed with every sink.



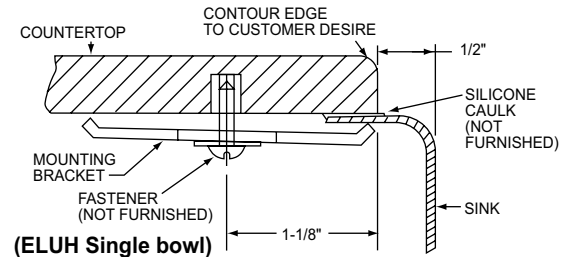
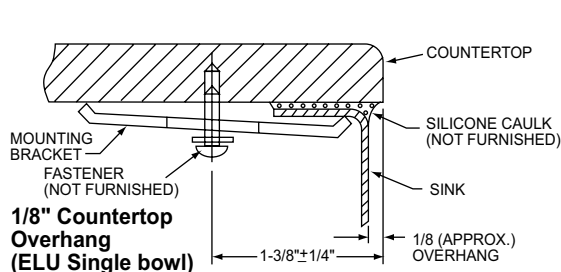
Model ELU1317 Illustrated



Model ELUH1317 Illustrated

Installation Profile of ELU and ELUH Single Bowl Models

The template provided with each ELU/ELUH sink provides the only type of installation recommended by Elkay.



ALL DIMENSIONS IN INCHES, TO CONVERT TO MILLIMETERS MULTIPLY BY 25.4.

In keeping with our policy of continuing product improvement, Elkay reserves the right to change product specifications without notice.

This specification describes an Elkay product with design, quality and functional benefits to the user. When making a comparison of other producers' offerings, be certain these features are not overlooked.