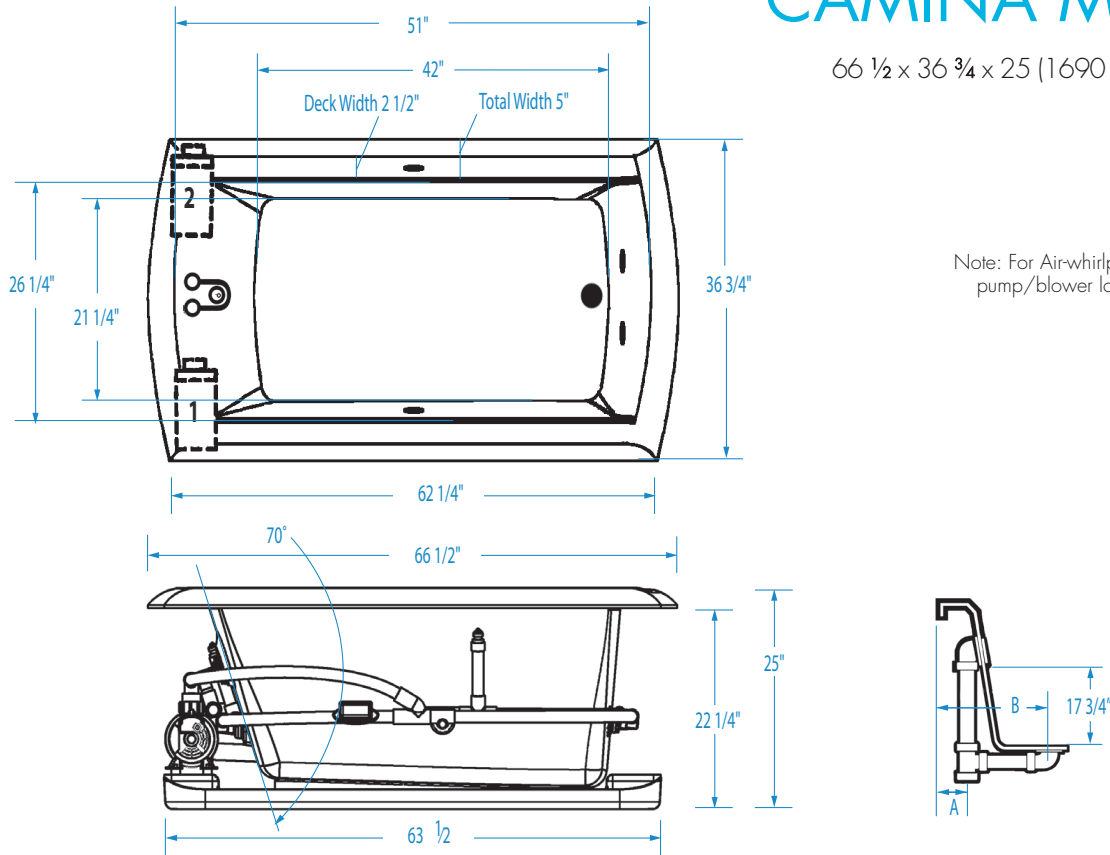


CAMINA MOTIF

66 1/2 x 36 3/4 x 25 (1690 x 930 x 635)
inches (mm)



Note: For Air-whirlpool, no alternate pump/blower location available.



FEATURES lbs (kg) Dimensional Tolerance ± 3/8". Dimensions needed for site preparation should be measured from the unit. Aquatic assumes no responsibility for preparatory work.

| Type and Model # | Material | Jets | Pump | Air System | Blower | Heater | Controls | Drain | Pkg. Wt. |
|----------------------------|----------|------|---------|------------|----------------|--------------------------|------------|-----------|-----------|
| Whirlpool #AI6636M | Acrylic | 7 | 1.75 HP | - | - | 1.5 kw Inline (optional) | Electronic | Universal | 208 (95) |
| Air-Whirlpool #AI36LUX6636 | Acrylic | 7 | 1.75 HP | Channel | Variable speed | 1.5 kw Inline | Electronic | Universal | 250 (113) |

DIMENSIONS inches (mm)

| Width Overall / Net | Depth Overall / Net | Height Overall / Net | Skirt Height |
|------------------------|------------------------|-------------------------|-----------------|
| 66 1/2 (1690) | 36 3/4 (930) | 25 (635) | - |

SUMP DATA inches (mm)

| Capacity to Overflow gal (ltr) | Min. Operating Capacity gal (ltr) | WIDTH @ centerline | | DEPTH @ centerline | |
|--------------------------------------|---|--------------------|-----------|--------------------|--------------|
| | | Top | Bottom | Top | Bottom |
| 76 (288) | 57 (216) | 51 (1295) | 42 (1065) | 26 1/4 (665) | 21 1/4 (540) |

PLUMBING DIMENSIONS inches (mm)

| A | B | Drain Diameter / Clearance |
|-------------|--------------|----------------------------------|
| 5 1/2 (140) | 13 1/2 (345) | |

ELECTRICAL DATA

| Component | Specification | Requirement |
|-----------------|-----------------------|--|
| Pump | 1.75 HP; 12 AMP; 120V | 15 AMP; 120V, separate circuit; Class A GFCI |
| Optional Heater | 1.5 kW; 12 AMP; 120V | 15 AMP; 120V, separate circuit; Class A GFCI |
| Blower | 1.0 HP; 9.5 AMP; 120V | 15 AMP; 120V, separate circuit; Class A GFCI |

NOTES:

1) Where applicable, utilize cut-out templates packed with unit for deck cutouts.

2) 16 x 16 (405 x 405) minimum access required at pump/blower location(s).

NOTE:

1) This whirlpool must be hard wired to the breaker box. Three outlets will be supplied on the air-whirlpool.