



Viaggio Single Lever Single Hole Lavatory Faucet

Rohl Italian Country Bath Collection

A3402LM (Metal Lever)

A3402LP (Porcelain Lever)

A3402LC (Swarovski® Crystal Lever)

FEATURES

- Fixed spout
- Single lever control
- Ceramic disc cartridge
- Brass construction
- Pop-up included
- 2 1/4" base diameter
- 1 3/8" cutout
- 1.5 GPM

COLORS/FINISHES

- Polished Chrome
- Polished Nickel
- Satin Nickel
- Tuscan Brass
- Inca Brass
- Old Iron*

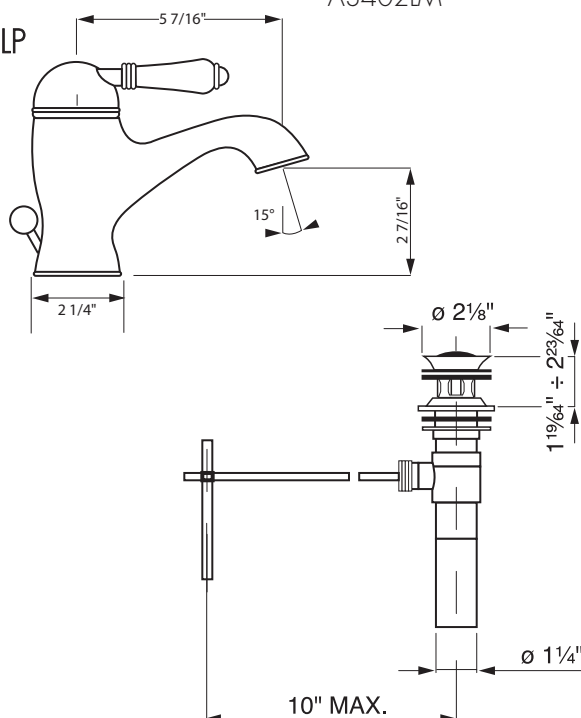
*Old Iron finish only available for A3402LM

WARRANTY

- Limited Lifetime*

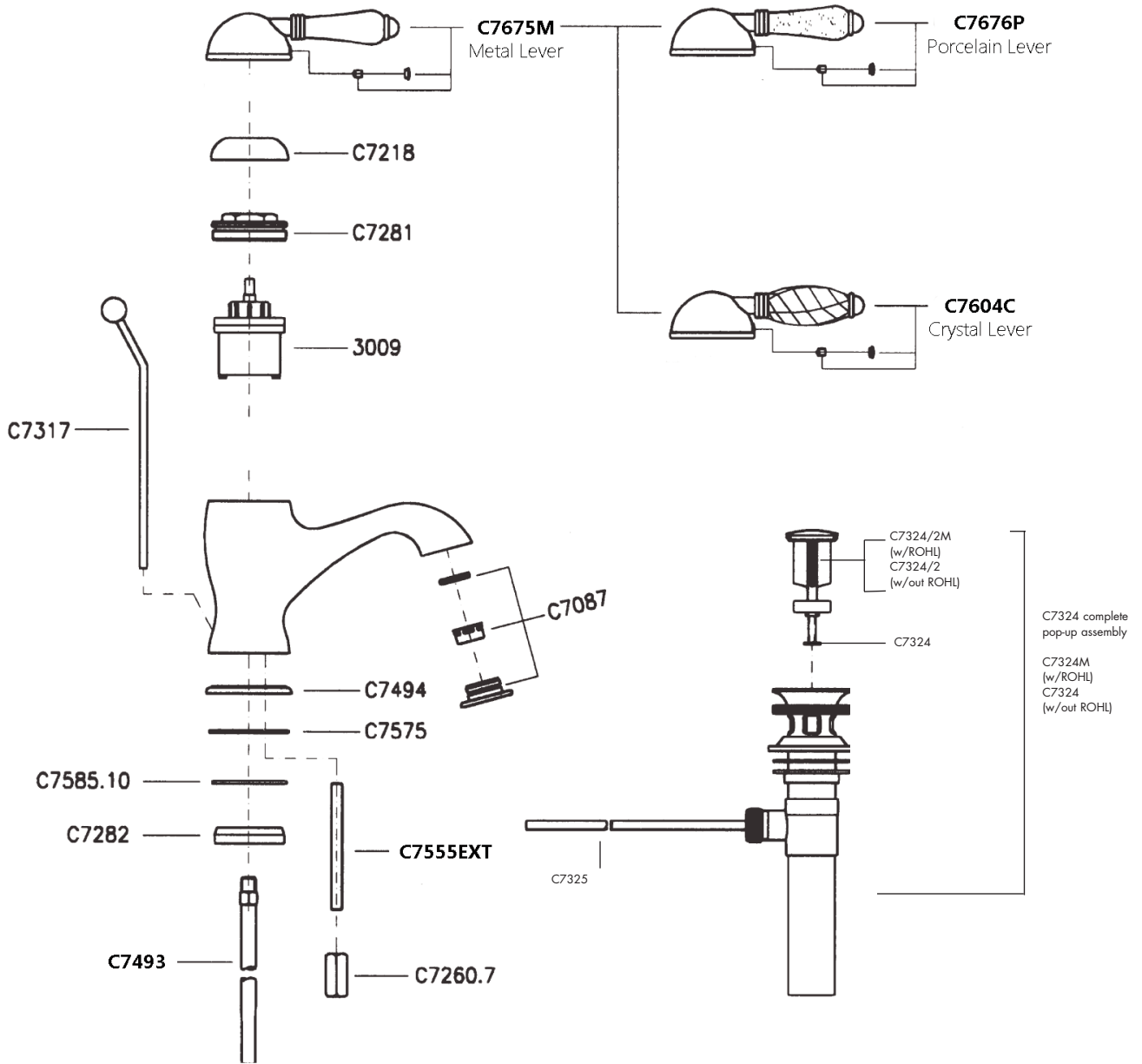
* No Warranty on Tuscan Brass Finish (TCB)

A3402LM & A3402LP



A3402LC

A3402 Spare Parts



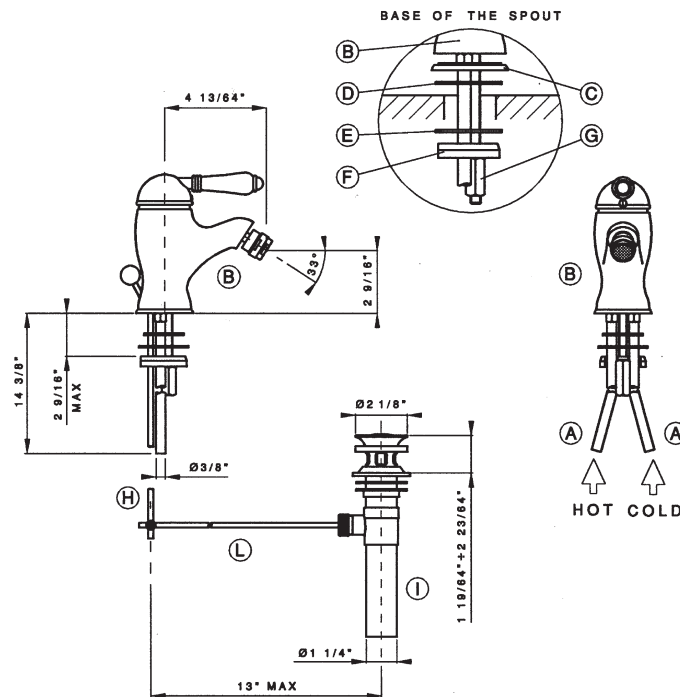
Installation Instructions

INSTALLATION AND CARE & MAINTENANCE GUIDE

Installation guide

Single-lever bidet mixer with automatic pop-up waste

Art. A3403LC---
Art. A3403LM---
Art. A3403LP---



a - Preparation

Flush out the pipework to remove any foreign matter.
The hot supply should be on the left when viewed from the front of the fitting.

b - Assembly

- Assemble the copper tube (A) to the body (B).
- Introduce the faucet (B) in the central hole of the bidet, placing before the ring (C) and then the washer (D) between the base of the faucet and the bidet.
- Fix the faucet (B) placing, before the shaped rubber washer (E) and then the half-moon plate (F) and the lengthen nut (G).
- Introduce the rod (H) in the faucet (B).
- Assemble the automatic pop-up waste (I). Introduce and fix it in the hole of the bidet. Join the vertical rod (H) to the horizontal rod (L) using the double connector.
- Connect hot and cold water supplies to copper tube (A) inlet.
- Ensure all connections are firmly tightened.

c - Before use

Turn on the Hot and Cold supplies to the faucet.
Maximum temperature for Hot water supply to the faucet is 145° F.
Minimum recommended pressure is 15 psi - Maximum recommended pressure is 75 psi.
Check the installation carefully for leaks.
If further building work is to be carried out in the vici of the faucet, it should be covered to prevent paint, adhesive, etc. from damaging the surface.

Installation Instructions

Care and use for finishes

Country Bath Products are all authentic finishes that have not been coated with any product.

After each use, pat the fixture down to remove any excess water. This will prevent any water spotting or mineral build-up. Use only soft liquid soap and water to clean the surface. Use a soft brush to clean any gaps. Avoid any products that have ammonia or alcohol like Windex, 409 or Fantastik. These products can damage the finish leaving black or white spots. Never use an abrasive product like Softscrub, Comet, Ajax or Bon Ami.

For deep polishing we recommend Bruno's Wax for all finishings.

Tuscan Brass is a living finish and has no warranty. It will lighten with use. To extend the life of the finish, apply Bruno's Wax by patting it on, letting it dry and patting it off. Never rub or buff this finish.

WARNING: the use of cleaning products not recommended might irreparably harm the surfaces of the faucets which in such case are not covered by our warranty.

Limescale

The faucet is fitted with an aeration device in the Hot/Cold water outlet.

This may need occasional cleaning especially in hard water areas.

This is accomplished by unscrewing the outlet in a counter clockwise direction, dismantling and leaving the inner screen mesh immersed over night in vinegar or lemon juice.

Do not use chemical descaling liquids for this purpose.

ATTENTION

READ THESE INSTRUCTIONS BEFORE INSTALLATION AND USE OF ALL FAUCETS AND WALL VALVES

INSTALLATION and WARRANTY INSTRUCTIONS TECHNICAL INFORMATION

All flexible hoses are designed and manufactured for use with water in exposed locations only. **Do not expose** to household cleaners, chlorine, chloride, hydrochloric acid or other corrosive chemicals.

- All connections with threads M10x1 male must be hand tighten. **Do not over tighten. Over tightening may cause damage to the hose.**

All faucets washers and o-rings are designed and manufactured for use with water. **Do not expose** to household cleaners, chlorine, chloride, hydrochloric acid or other corrosive chemicals.

Faucets are designed for use with the temperatures and pressures listed below:

- minimum cold water supply 50 °F
- maximum hot water supply 145 °F
- minimum pressure 15 psi
- maximum pressure 75 psi
- maximum fixing torque value = 10 lbf.ft.
-

Please note: The recommended best pressure for best performance is between 40 psi and 60 psi. More pressure than 60 psi or less pressure than 40 psi may affect the diverting action in side spray faucets.

- Do not use any Rohl Country/ Nicolazzi faucet with sulphurous water.
- The minimum temperature for all faucets is 50 degrees F. Below 50 degrees F will void the warranty.
- When available, filter systems must be placed between hot and cold supply lines and the faucet. Improper use or non-use of filters may make diverting faucets with hand sprays perform poorly.
- Don't modify faucet and their components
- Use only original spare parts if there are replacements to be ordered.
- Installation must be made by authorized plumbers or installers. Improper installation or diagnosis of problems is not covered by the warranty.
- Yearly maintenance of cleaning and flushing is recommended.

Operation and use of any faucet or wall valve that do not conform to these technical instructions will void the warranty.