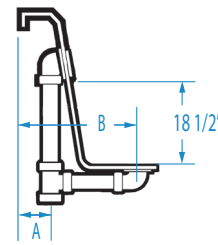
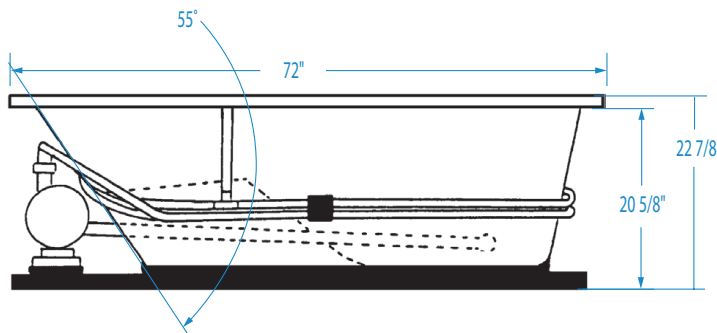
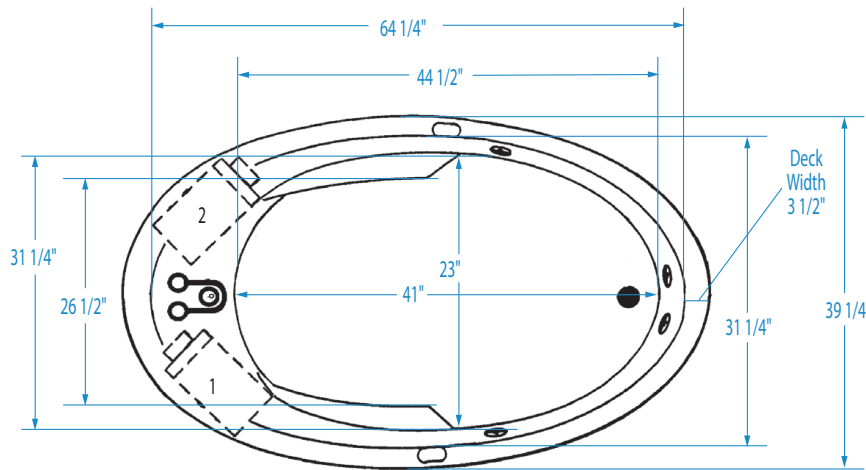


POINT REYES

72 x 39 1/4 x 22 7/8 (1830 x 1000 x 580) inches (mm)



Note: For Air-whirlpool, no alternate pump/blower location available.



Note: Tub Only units do not come standard with the Pre-leveled ABS Support Base.

FEATURES lbs (kg) Dimensional Tolerance ± 3/8". Dimensions needed for site preparation should be measured from the unit. Aquatic assumes no responsibility for preparatory work.

| Type and Model # | Material | Jets | Pump | Air System | Blower | Heater | Controls | Drain | Pkg. Wt. |
|----------------------------|----------|------|---------|------------|----------------|--------------------------|------------|-----------|-----------|
| Whirlpool #AI7240R | Acrylic | 7 | 1.75 HP | — | — | 1.5 kw Inline (optional) | Electronic | Universal | 194 (88) |
| Air-Whirlpool #AI25LUX7240 | Acrylic | 7 | 1.75 HP | Channel | Variable speed | 1.5 kw Inline | Electronic | Universal | 245 (111) |

DIMENSIONS inches (mm)

| Width Overall / Net | Depth Overall / Net | Height Overall / Net | Skirt Height |
|---------------------|---------------------|-----------------------------|--------------|
| 72 (1830) | 39 1/4 (1000) | 22 7/8 (580) / 20 7/8 (530) | — |

SUMP DATA inches (mm)

| Capacity to Overflow gal (ltr) | Min. Operating Capacity gal (ltr) | WIDTH @ centerline | | DEPTH @ centerline | |
|--------------------------------|-----------------------------------|--------------------|---------------|--------------------|--------------|
| | | Top | Bottom | Top | Bottom |
| 86 (325) | 67 (254) | 64 1/4 (1630) | 44 1/2 (1130) | 31 1/4 (795) | 26 1/2 (675) |

PLUMBING DIMENSIONS inches (mm)

| A | B | Drain Diameter / Clearance |
|-------------|--------------|----------------------------|
| 6 3/4 (170) | 16 3/4 (425) | 2 (50) / 3/4 (20) |

ELECTRICAL DATA

| Component | Specification | Requirement |
|-----------------|-----------------------|--|
| Pump | 1.75 HP; 12 AMP; 120V | 15 AMP; 120V, separate circuit; Class A GFCI |
| Optional Heater | 1.5 kW; 12AMP; 120V | 15 AMP; 120V, separate circuit; Class A GFCI |
| Blower | 1.0 HP; 9.5 AMP; 120V | 15 AMP; 120V, separate circuit; Class A GFCI |

NOTES:
1) Where applicable, utilize cut-out templates packed with unit for deck cutouts.

2) 16 x 16 (405 x 405) minimum access required at pump/blower location[s].

NOTE:
1) This whirlpool must be hard wired to the breaker box. Three outlets will be supplied on the air-whirlpool.