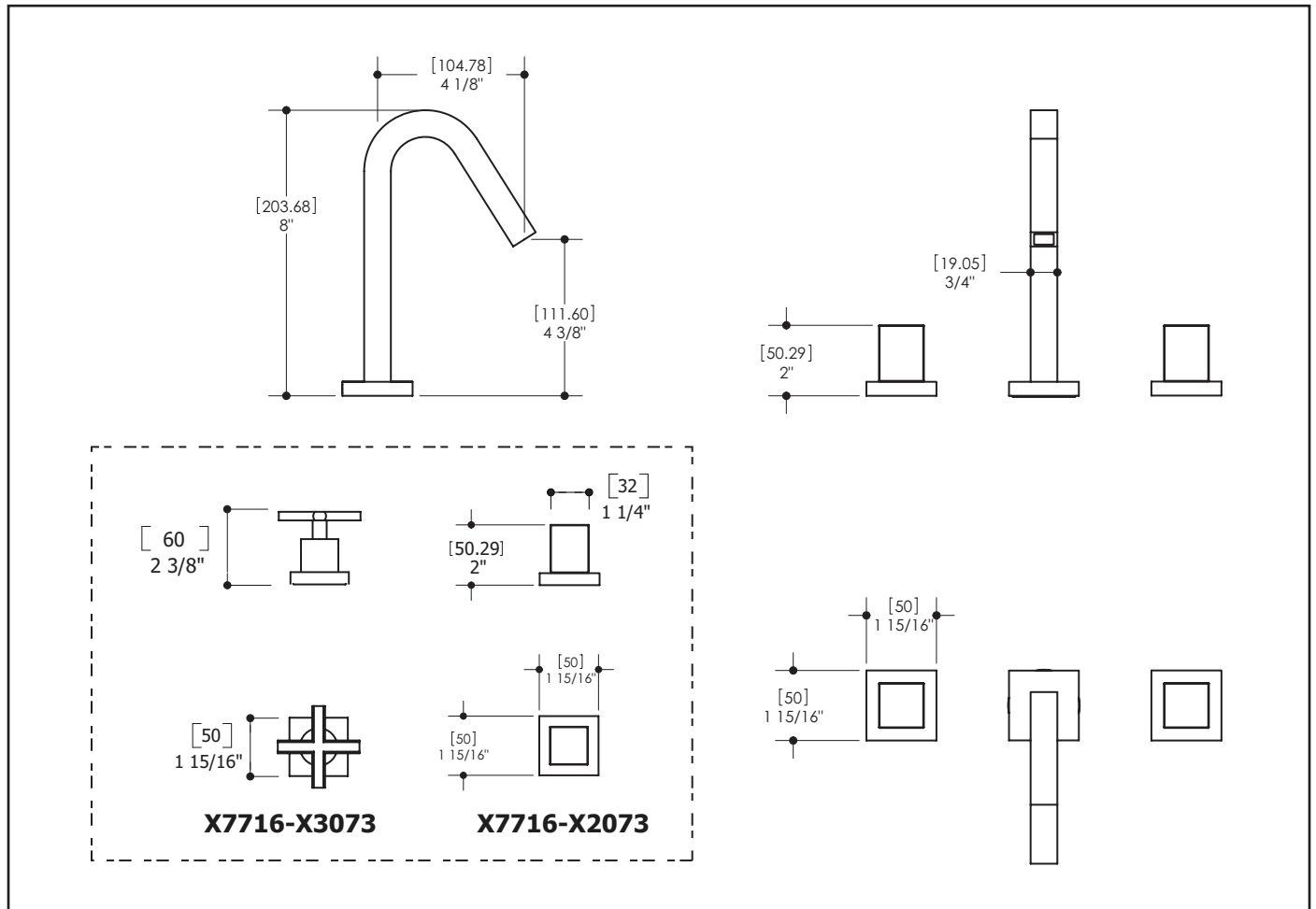
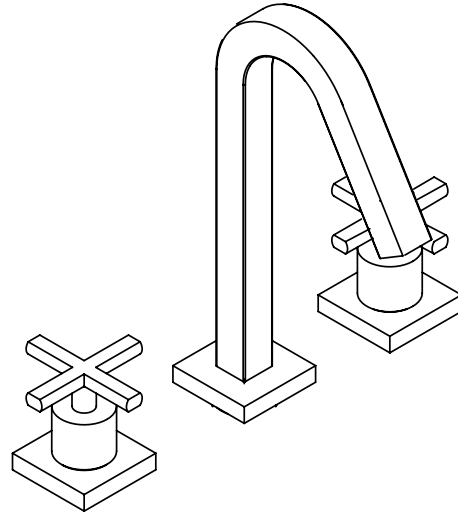


TECHNICAL SPECIFICATIONS

FEATURES:

- Solid brass construction
- High quality finishing
- 2.2 GPM water conservation aerator
- Pop-up drain
- CSA approved



SERVICE PARTS

