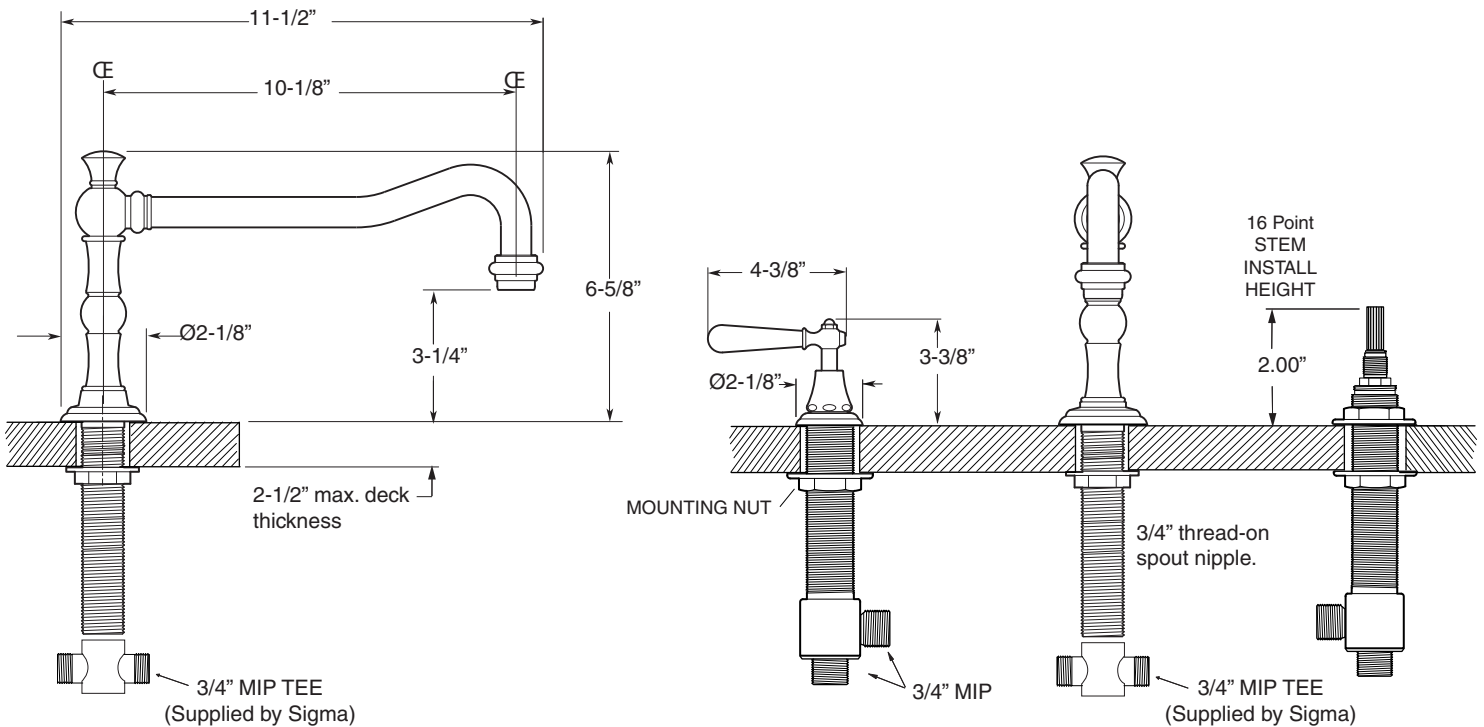


FEATURES:

- All brass construction.
- Lever style handles with decorative screw attachment.
- 3/4" valve bodies with 1/4-turn ceramic disc valve cartridge
- Available in all finishes. Warranty varies according to finish selection.
- Certified to meet and exceed the following codes and standards:
ASME A112.18.1-2005/CSAB 125.1-2005

Loire
Roman Tub Set
1.355677
(1.355677T - Trim Only)



NOTE: Spout and valves install through 1-1/4" diameter holes.
Plumber to provide 3/4" supply lines to valves

Parts List Series 350

Loire
Roman Tub Set

