

FAIRFIELD

Bridge Style Kitchen Faucet

9451



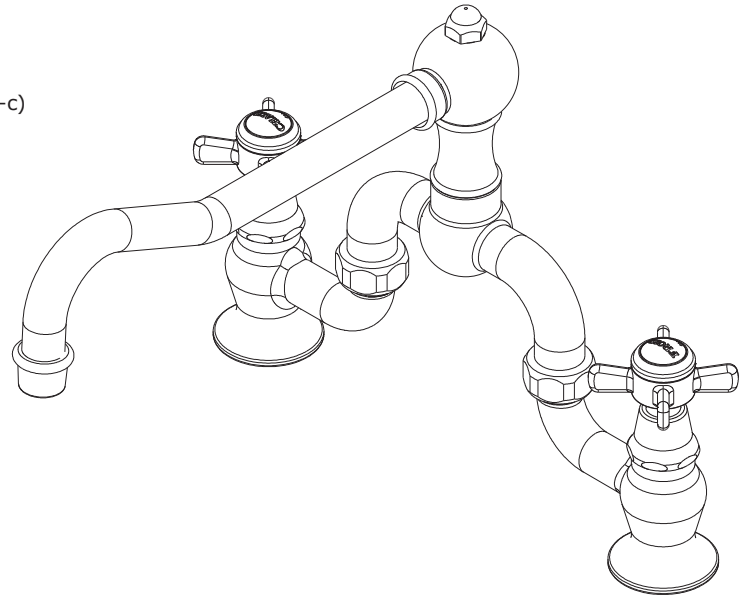
Features

- Solid brass construction
- Bridge-style brass valve bodies
- Quarter-turn washerless ceramic disc valve cartridges
- ADA compliant traditional cross handles
- Swivel spout assembly
- 6-9/16" (16.7 cm) spout height at outlet
- 8-1/2" (21.6 cm) min. to 10-3/8" (26.4 cm) max. spout reach (c-c)
- For 8" (20.3 cm) centers - Maximum 9-3/4" (24.9 cm)
- 1.8 gallons (6.8 liters) per minute maximum flow rate

Codes / Standards Compliance

Meets or exceeds the following at date of manufacture:

- ASME A112.18.1/CSA B125.1
- IAPMO/cUPC
- IPC
- NSF 61
- ADA
- ICC/ANSI A117.1
- Energy Policy Act of 1992
- All applicable US Federal and State material regulations



Colors / Finishes

- 10B: Oil Rubbed Bronze
- 15: Polished Nickel
- 15S: Satin Nickel
- 26: Polished Chrome
- Other: Refer to the Newport Brass catalog for additional color/finish options.

Specified Model

Model	Description	Colors / Finishes
9451	Bridge Style Kitchen Faucet	<input type="checkbox"/> 10B <input type="checkbox"/> 15 <input type="checkbox"/> 15S <input type="checkbox"/> 26 <input type="checkbox"/> Other

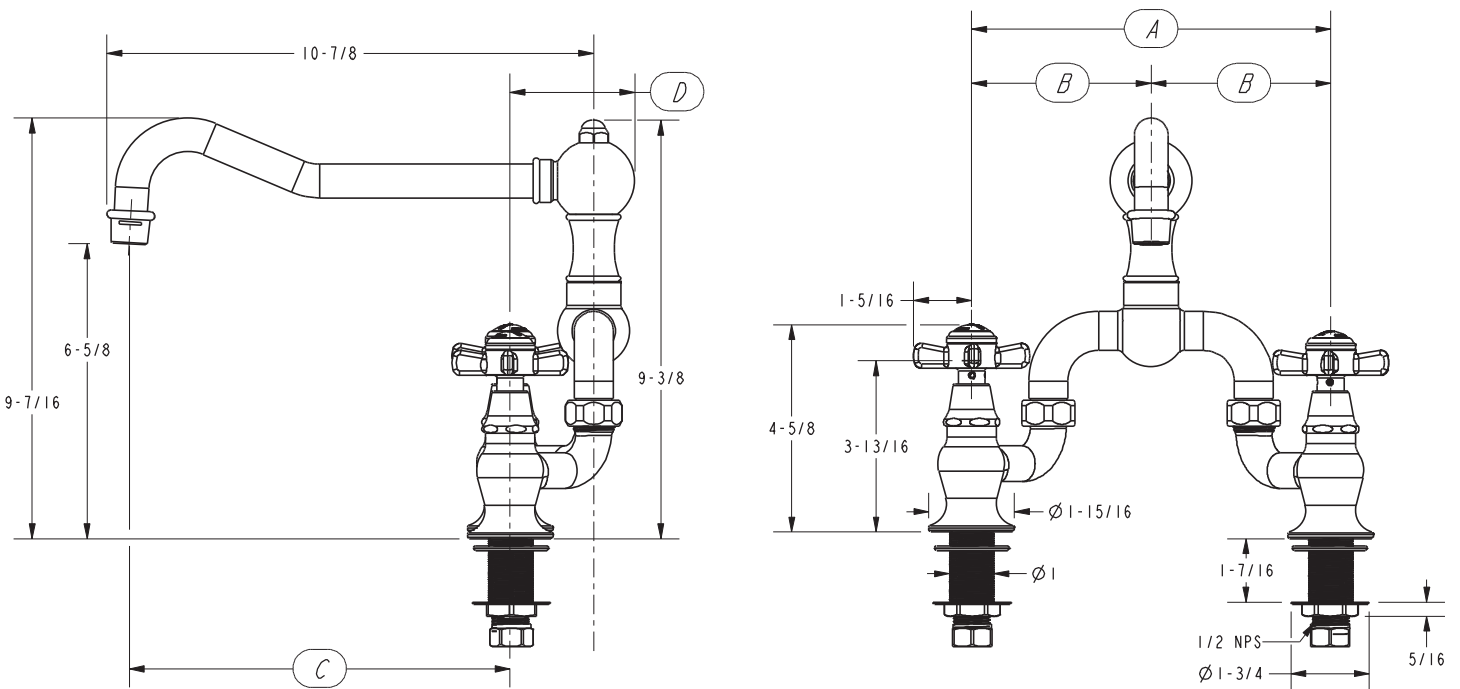
Product Specification:

Add "Color / Finish" suffix to Model number, below.

The Bridge Style Kitchen Faucet shall be made of solid brass construction. Faucet shall incorporate a swivel spout assembly and feature bridge-style brass valve bodies with quarter-turn washerless ceramic disc valve cartridges. Faucet shall have a 1.8 gallons (6.8 liters) per minute maximum flow rate. Product shall be for 8" (20.3 cm) centers - Maximum 9-3/4" (24.8 cm). Product shall incorporate a 6-9/16" (16.7 cm) spout height at outlet and an 8-1/2" (21.6 cm) min. to 10-3/8" (26.4 cm) max. spout reach (c-c). Faucet shall incorporate ADA compliant traditional cross handles. Bridge-Style Kitchen Faucet shall be Newport Brass Model 9451/_____.

9451

Product Dimensions (units are in inches)



VARIABLE FAUCET SETUP			
A	B	C	D
8	4	8-9/16	2-3/4
9-5/8	4-13/16	10-3/8	15/16