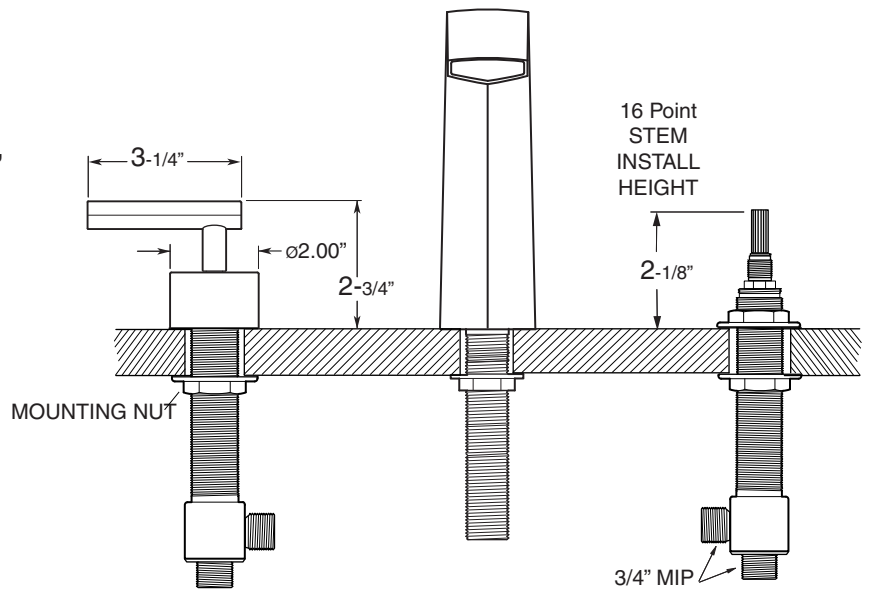
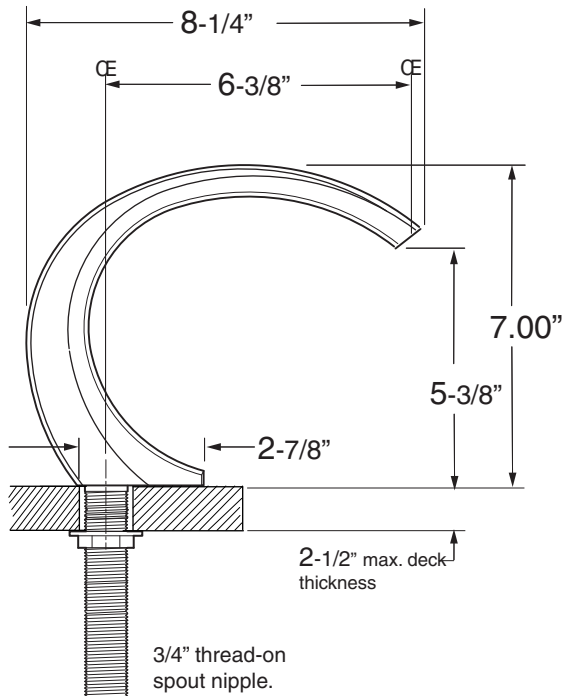


**FEATURES:**

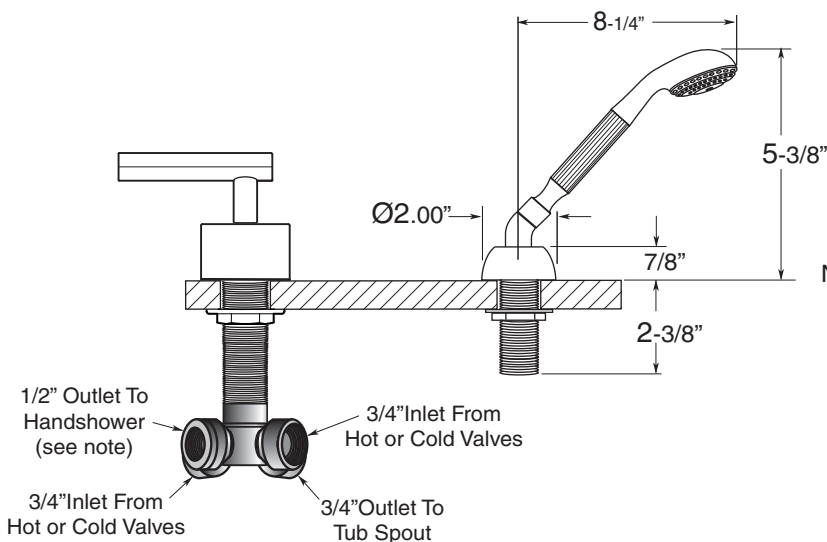
- All brass construction.
- Lever style handles with setscrew attachment.
- 3/4" valve bodies with 1/4-turn ceramic disc cartridge.
- Available in all finishes. Warranty varies according to finish selection.
- Certified to meet and exceed the following codes and standards:  
ASME A112.18.1-2005/CSAB 125.1-2005

Verona  
Roman Tub Set with Deckmount  
Handshower and Diverter  
1.102293

(1.102293T - Trim only)



Spout and valves install through 1-1/4" diameter holes.  
Plumber to provide 3/4" supply lines to valves

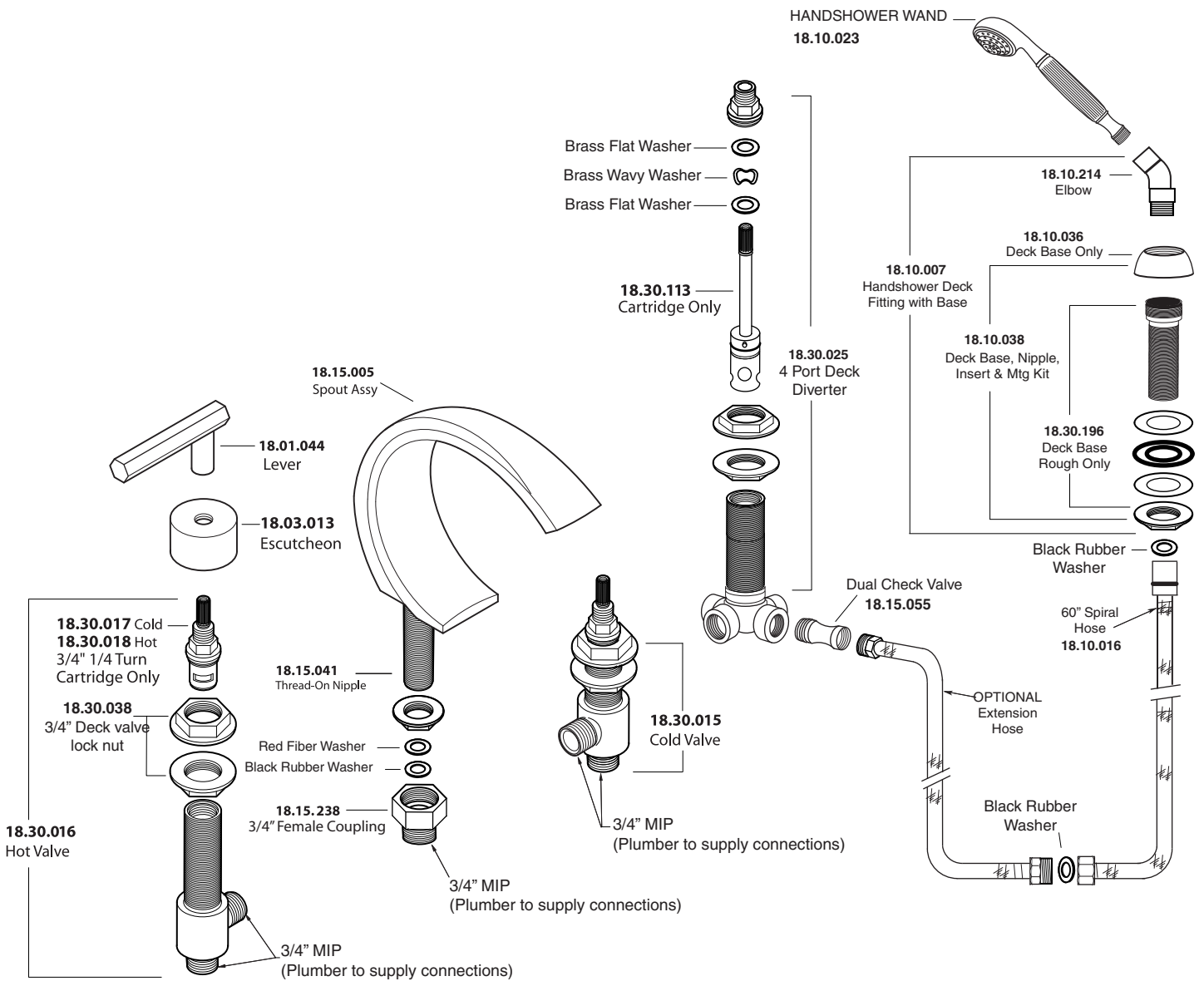


NOTE: 1/2" outlet for in-line vacuum breaker (18.15.055), and 60" chrome spiral hose (18.10.016) - INCLUDED

Note: Measurements are subject to change or cancellation. No responsibility is assumed for use of superseded or voided pages.

# Parts List Series 100

Verona  
Roman Tub Set with Deckmount  
Diverter and Handshower



American Faucet & Coatings Corporation.

Tel: 760-598-5895, Toll Free Fax 800-621-8383, customerservice@sigmafaucet.com