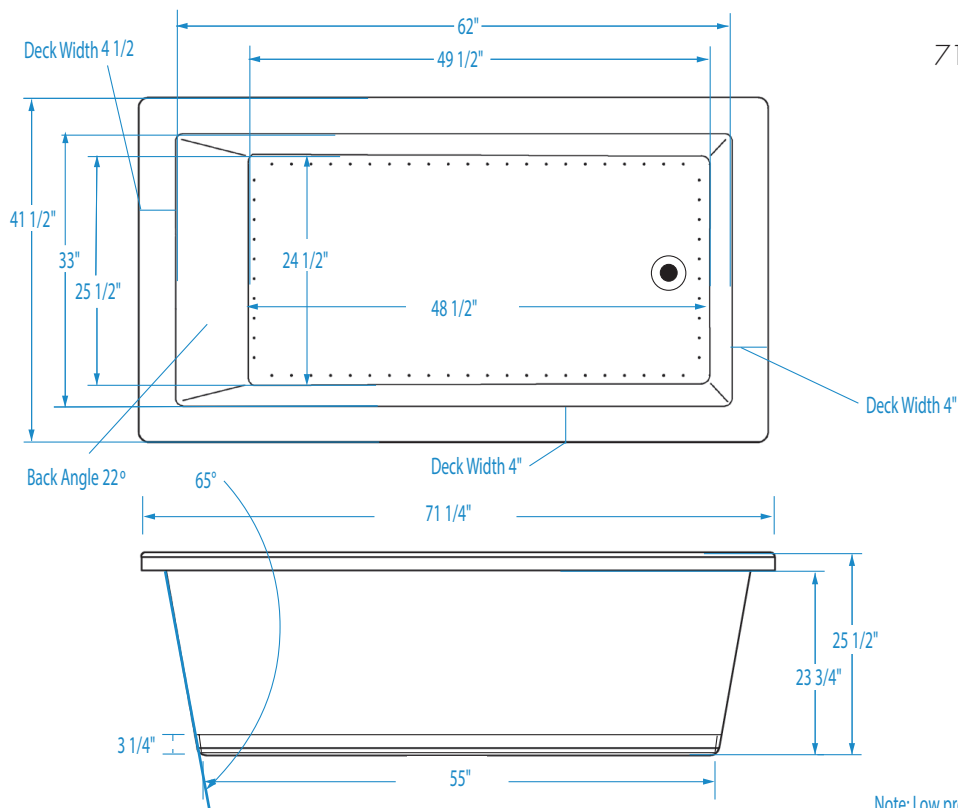


SERENITY 23

71 1/4 x 41 1/2 x 25 1/2 (1810 x 1055 x 650)
inches (mm)



Note: Low profile pedestal prohibits use of decorative drain pipe flange.

FEATURES lbs (kg) Dimensional Tolerance ± 3/8". Dimensions needed for site preparation should be measured from the unit. Aquatic assumes no responsibility for preparatory work.

Type and Model #	Material	System	Powered By	Heater	Controls	Drain	Pkg. Wt.
Soaker #AI23AIR7242FTO	Acrylic	-	-	-	-	Universal	273 (124)
Air Bath #AI23AIR7242F	Acrylic	Air channel	Variable speed blower	Integrated	Electronic	Universal	303 (138)

DIMENSIONS inches (mm)

Width Overall / Net	Depth Overall / Net	Height Overall / Net	Skirt Height
71 1/4 (1810)	41 1/2 (1055)	25 1/2 (650)	-

SUMP DATA inches (mm)

Capacity to Overflow gal (ltr)	Min. Operating Capacity gal (ltr)	WIDTH @ centerline		DEPTH @ centerline	
		Top	Bottom	Top	Bottom
113 (428)	-	62 (1575)	49 1/2 (1260)	33 (840)	25 1/2 (650)

PLUMBING DIMENSIONS inches (mm)

A	B	Drain Diameter / Clearance
3 1/2 (90)	12 1/2 (320)	

ELECTRICAL DATA

Component	Specification	Requirement
Heated Blower (Air Bath)	10.5 AMP; 120V	15 AMP; 120V, separate circuit; Class A GFCI

NOTES:

1) Where applicable, utilize cut-out templates packed with unit for deck cutouts.

2) 16 x 16 (405 x 405) minimum access required at pump/blower location(s).

Each Serenity air bath is equipped with an air heating system to raise the temperature of the air entering the bath. This air temperature will be lower than the bathing temperature of the water, but will help reduce rapid decrease in water temperature. In addition, the air coming from the air jets will feel cool against the skin. This system does not heat the water.