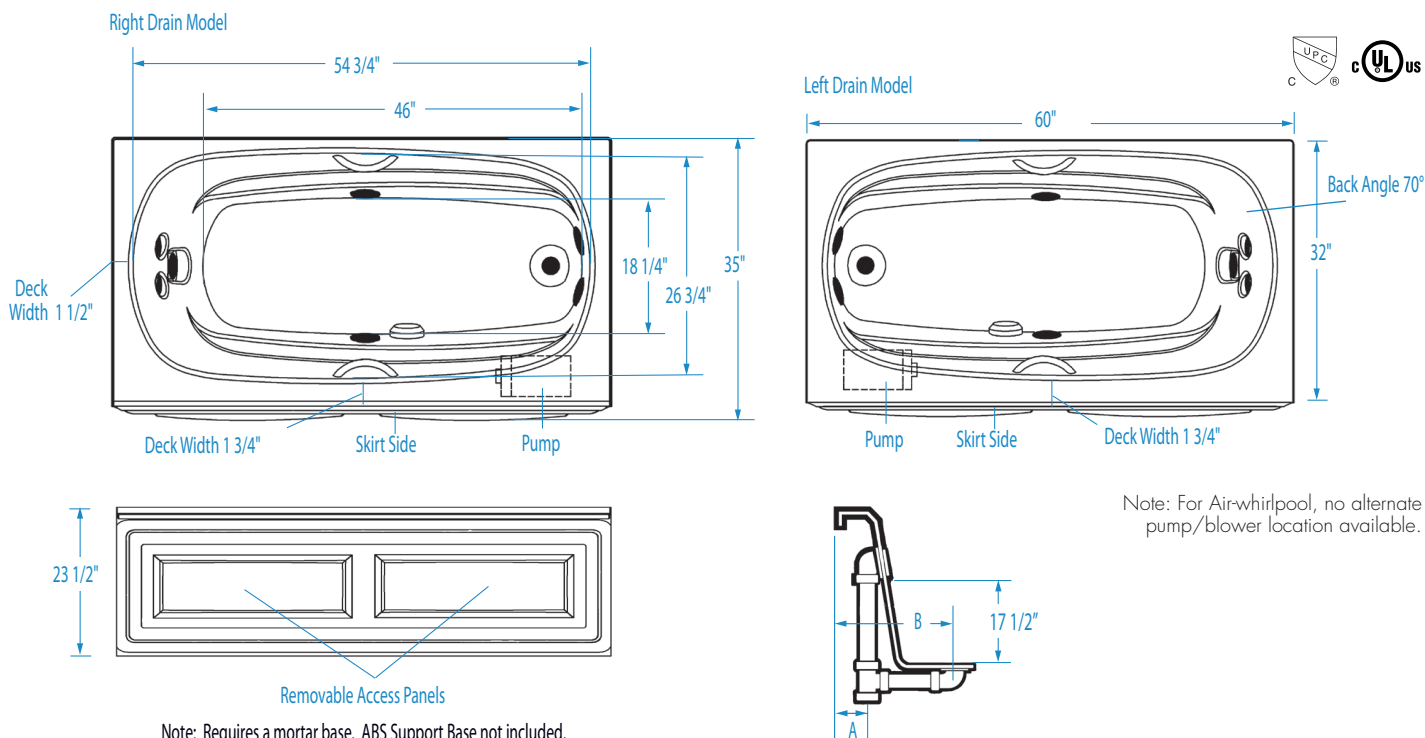


SANTA CLARA

 60 x 35 x 23 1/2 (1525 x 890 x 600)
 inches (mm)


Note: Requires a mortar base. ABS Support Base not included.

FEATURES lbs (kg) Dimensional Tolerance ± 3/8". Dimensions needed for site preparation should be measured from the unit. Aquatic assumes no responsibility for preparatory work.

Type and Model #	Material	Jets	Pump	Air System	Blower	Heater	Controls	Drain	Pkg. Wt.
Whirlpool #A160321SL/R	Acrylic	7	1.75 HP	—	—	1.5 kw Inline (optional)	Electronic	LH or RH	135 (61)
Air-Whirlpool #A132LUX60321SL/R	Acrylic	7	1.75 HP	Channel	Variable speed	1.5 kw Inline	Electronic	LH or RH	292 (132)

DIMENSIONS inches (mm)

Width Overall / Net	Depth Overall / Net	Height Overall / Net	Skirt Height
60 (1525)	35 (890)	23 1/2 (600)	22 5/8 (575)

SUMP DATA inches (mm)

Capacity to Overflow gal (ltr)	Min. Operating Capacity gal (ltr)	WIDTH @ centerline		DEPTH @ centerline	
		Top	Bottom	Top	Bottom
69 (261)	50 (189)	54 3/4 (1390)	46 (1170)	26 3/4 (680)	18 1/4 (465)

PLUMBING DIMENSIONS inches (mm)

A	B	Drain Diameter / Clearance
1 5/8 (40)	9 1/4 (235)	2 (50) / 2 7/8 (75)

NOTES:

1) Where applicable, utilize cut-out templates packed with unit for deck cutouts.

2) 16 x 16 (405 x 405) minimum access required at pump/blower location(s).

ELECTRICAL DATA

Component	Specification	Requirement
Pump	1.75 HP; 12 AMP; 120V	15 AMP; 120V, separate circuit; Class A GFCI
Optional Heater	1.5 kW; 12 AMP; 120V	15 AMP; 120V, separate circuit; Class A GFCI
Blower	1.0 HP; 9.5 AMP; 120V	15 AMP; 120V, separate circuit; Class A GFCI

NOTE:

1) This whirlpool must be hard wired to the breaker box. Three outlets will be supplied on the air-whirlpool.