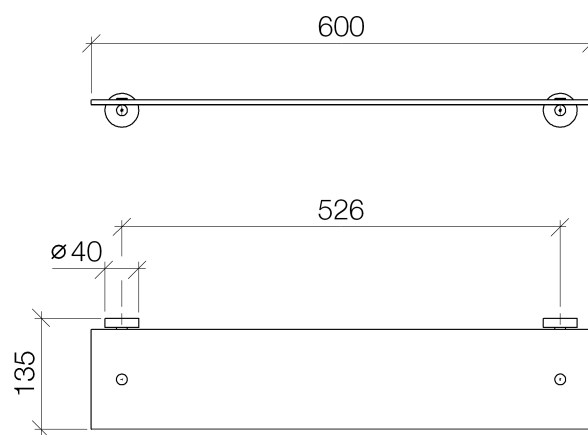




Product specifications

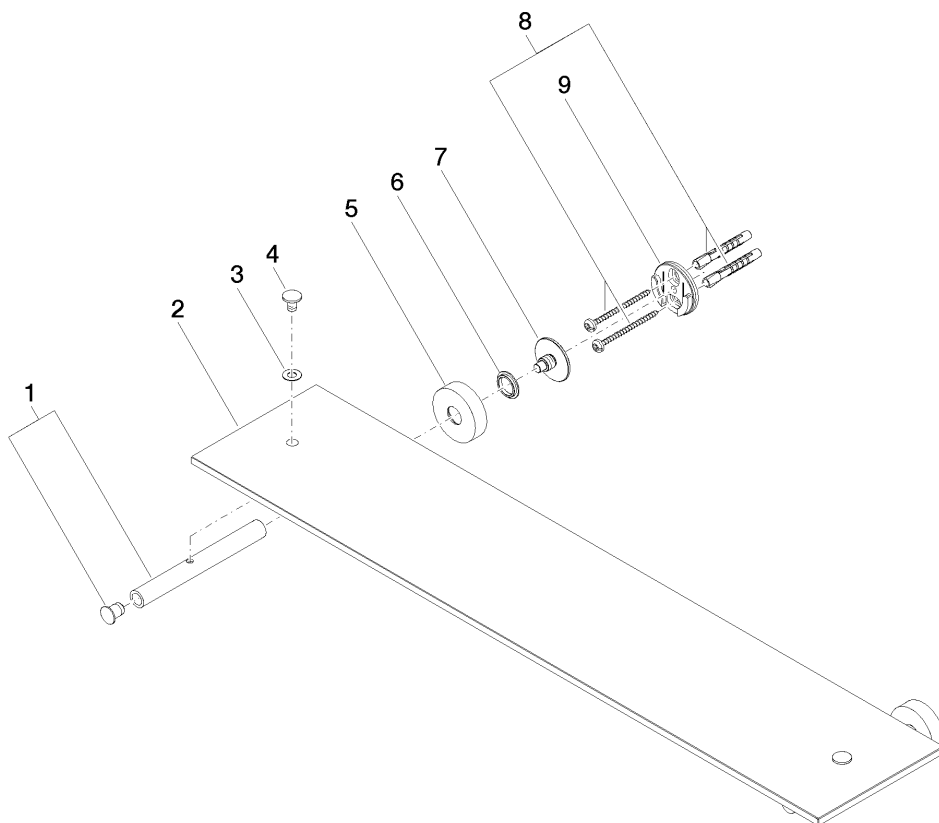
- Shelf supports
 - Crystal glass shelf
 - Width 23 5/8"
 - Height 1 5/8"
 - Flange diameter 1 5/8"
 - 5 3/8" projection
- Spare parts available on request



Surfaces

- | | |
|-----------------|-------------|
| • chrome | 83460979-00 |
| • chrome | 83460979-00 |
| • matt platinum | 83460979-06 |
| • matt platinum | 83460979-06 |

Exploded assembly drawing



Order quantity

No.	Article number	Name	Installation quantity
1	90179756400ff	holder	2
2	08902860081	shelf	1
3	08301150290	disc	2
4	083030525ff	screw	2
5	082797500ff	rosette	2
6	08301151690	ring	2
7	08179756090	holder	2
8	0530310250090	fixing set	1
9	08179750107	holder	2