

SPECIFICATIONS

MELROSE™ SINGLE HANDLE PULL-OUT KITCHEN FAUCET

Model

D455612

Description

- Ceramic disc valve
- 7 ¼" high spout, 6 ¾" spout length
- 2 function spray/aerated stream
- Includes brass soap/lotion dispenser
- Quiet running hose with spring retraction
- 2 hole mount with optional deck plate

Standards



Certified to NSF/ANSI 61 Section 9

- NSF 61-9
- Energy Policy Act of 1992



NSF/ANSI 372

- ASME A112.18.1M/A112.18.1
- NSF/ANSI 372
- CSA B125.1

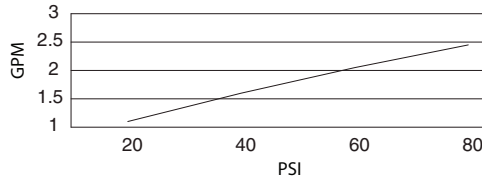


- ADA Accessibility Guidelines for Buildings and Facilities - 4.27.4 Controls and Mechanisms

Warranty

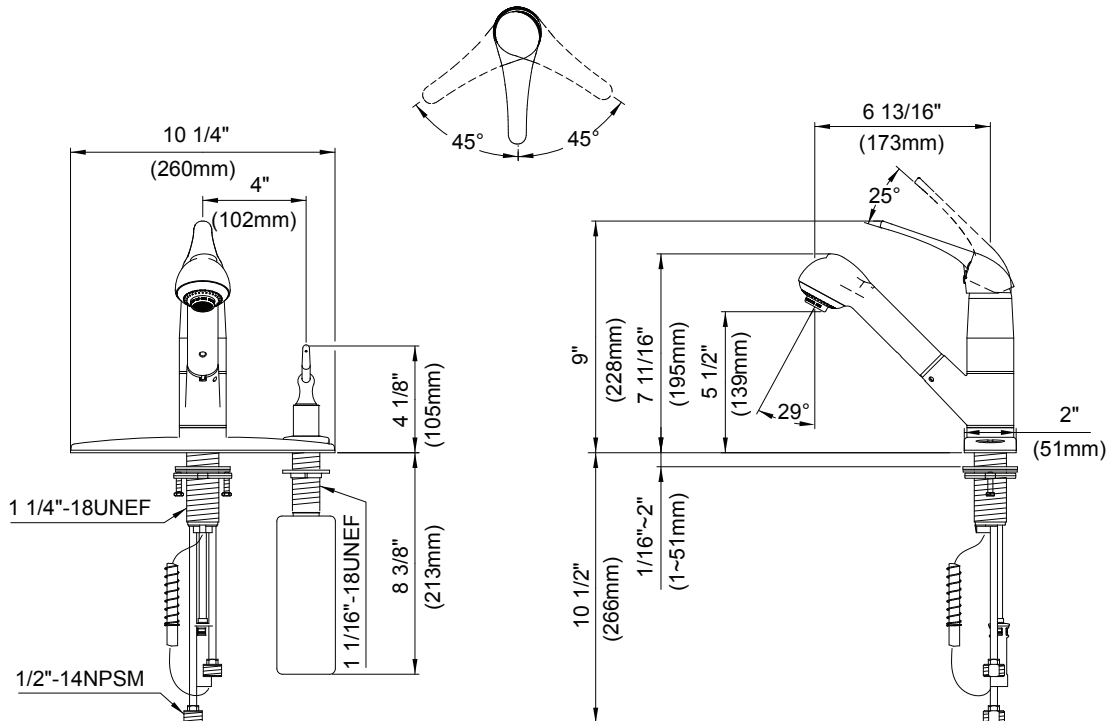
Danze products are covered by a manufacturer's limited "lifetime" warranty for manufacturing defects.

Flow Rate



Finishes Available

- Chrome
- Other: Refer to Price List for additional finish



Submittal Information:

Job Name: _____
 Contractor: _____

Location: _____
 Contact #: _____