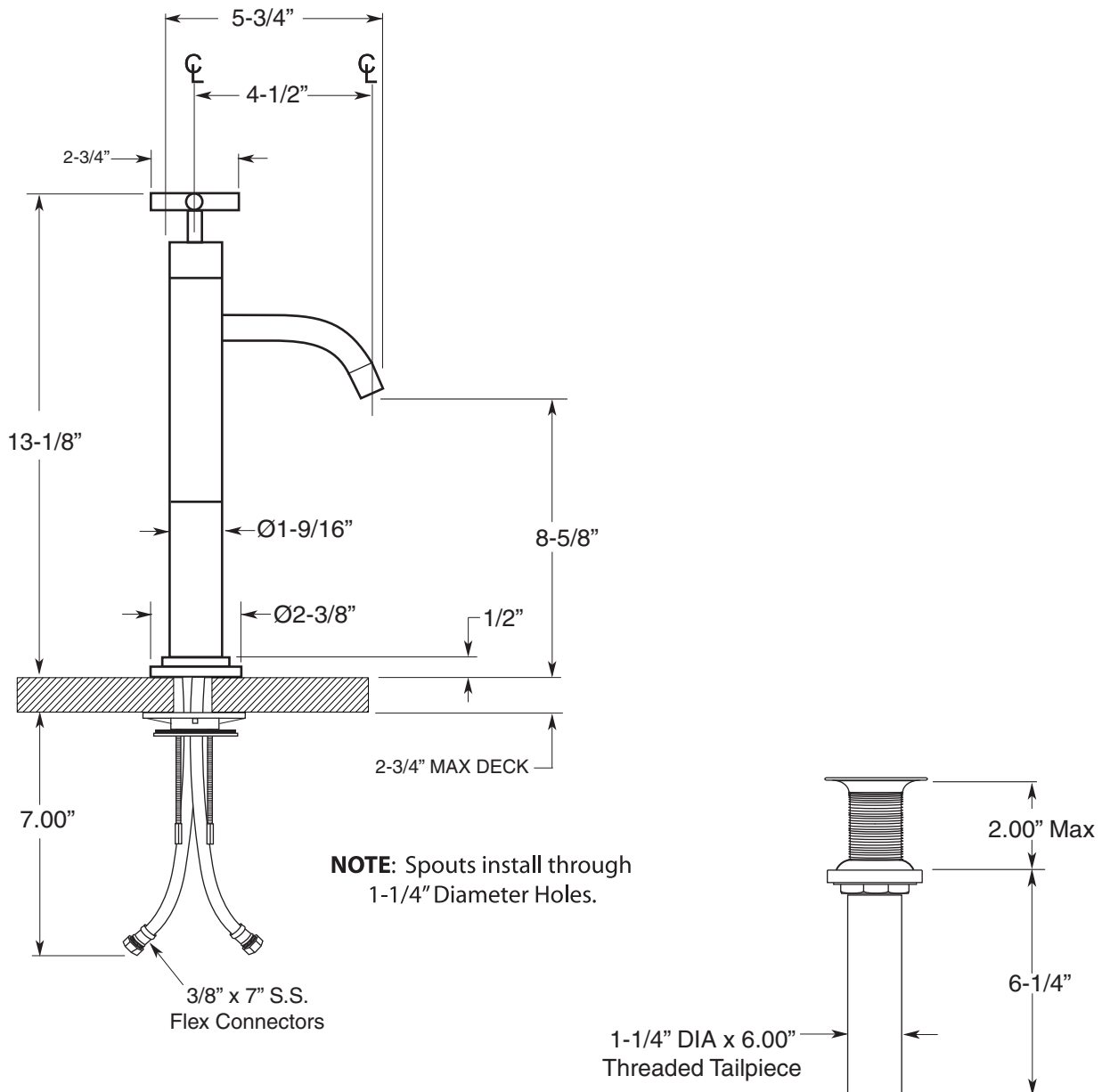


FEATURES:

- All brass construction.
- Flexible hose connections.
- Includes grid style drain without overflow P/N 18.11.120
- Concealed aerator requires special supplied blue removal key.
- Pre-assembled handle & escutcheon.
- Cartridge rotates 180°. Replacement cartridge P/N: 18.30.219
- Available in all finishes. Warranty varies according to finish selection.
- Standard aerator is limited to 1.5 gpm.
- Certified to meet and exceed the following codes and standards:
ASME A112.18.1-2005/CSAB 125.1-2005.



Note: Measurements are subject to change or cancellation. No responsibility is assumed for use of superseded or voided pages.