



PRODUCT DESCRIPTION

1210 Series 18 Gauge 12" x 17" Oval Stainless Steel Lavatory

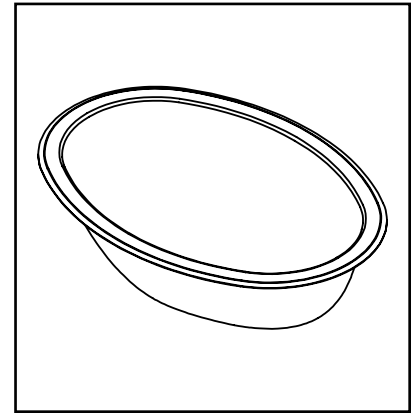
- Simply Stainless™ Collection
- Drop-In or Undermount Applications
- High Quality 18 Gauge Stainless Steel
- Available in Polished or Brushed Finishes

PRODUCT MEASUREMENTS

- Width: 17"
- Depth: 12"
- Height: 5.5"
- Inside Bowl Depth: 5.25"

RECOMMENDED ACCESSORIES

- DECOLAV® 9290 Non-Closing Umbrella Drain without Overflow
- DECOLAV® 9298 Push Button Closing Umbrella Drain without Overflow
- DECOLAV® 9100/9102 Decorative Bottle Trap



DROP-IN LAVATORY



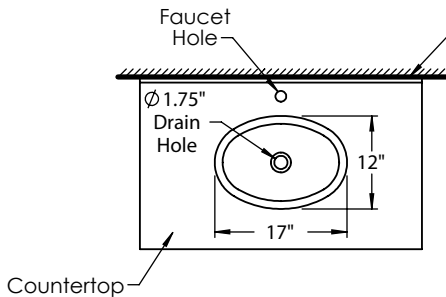
18 GAUGE



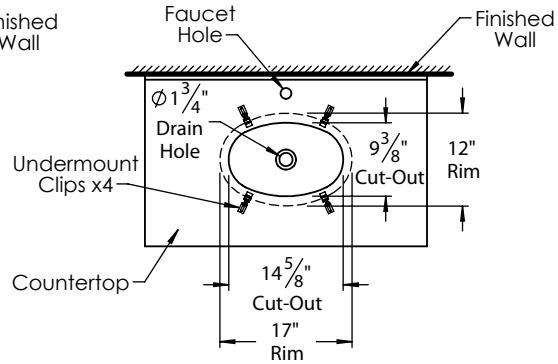
UNDERMOUNT LAVATORY

ROUGHING-IN DIMENSIONS

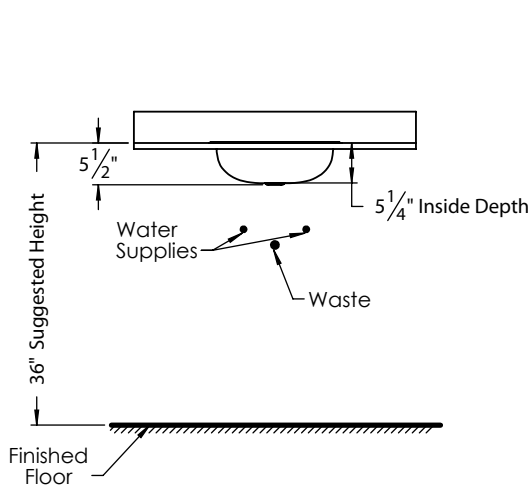
Please Note: All drawings contain the necessary measurements which are subject to standard industry tolerances. They are stated in inches and are non-binding. Exact measurements, in particular for customized installation scenarios, can only be taken from the finished product.



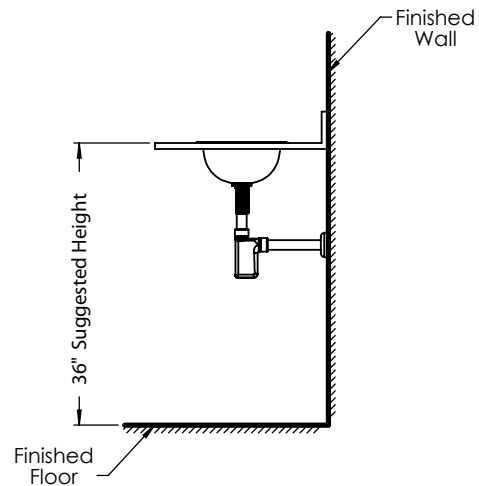
TOP VIEW
DROP-IN APPLICATION



TOP VIEW
UNDERMOUNT APPLICATION



FRONT VIEW



SIDE VIEW