

**Lustertone® Gourmet Double Bowl Sink**  
**18 Gauge – Type 304 – Self Rim**  
**Model LGR3722**



**SPECIFICATIONS**

**GENERAL**

Highest quality. Sink bowls are seamlessly drawn of #18 gauge, type 304 (18-8) nickel bearing stainless steel. Self-rimming.

**DESIGN FEATURES**

Bowl Depths: 10" (Left Bowl), 8" (Right Bowl).

Coved Corners: 1-3/4" radius.

Finish: Exposed surfaces are hand blended to a lustrous high-lighted Lasting Beauty satin finish.

Underside: Fully protected by heavy duty Sound Guard™ under-coating to prevent condensation and deaden sound.

**OTHER**

Drain Opening: 3-1/2".

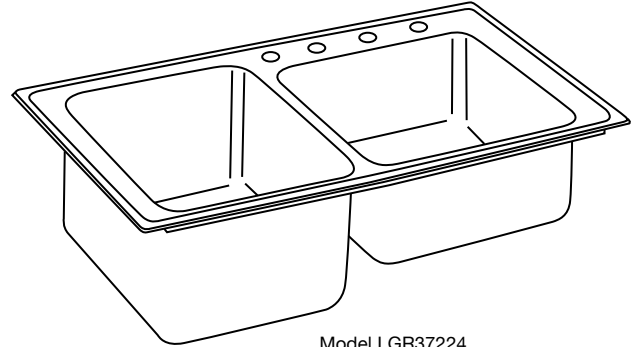
Note: Unless otherwise specified, sink is furnished with four faucet holes.

Recommended Sink Base: 42".

**OPTIONAL ACCESSORIES**

Rinsing Baskets: LKRB1611, LKRB1614, LKRB1414, VB1816 and LKERBSS.

Cutting Boards: CB(T)1613, CB(T)1713, CBR1418 and CBS1418.



Model LGR37224

This sink complies with ANSI Standard A112.19.3M.

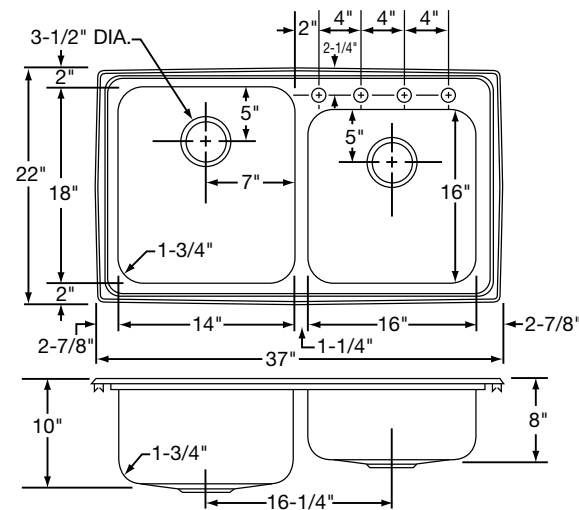


This sink is listed by the International Association of Plumbing and Mechanical Officials as meeting the requirements of the Uniform Plumbing Code.

**SINK DIMENSIONS (INCHES)\***

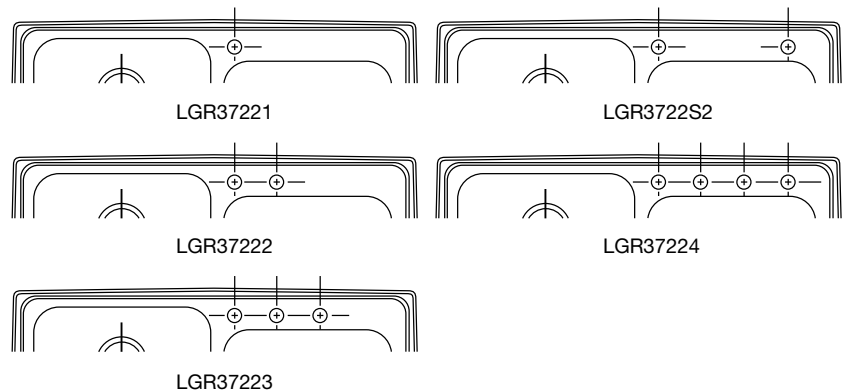
Model Number	Overall		Inside Left Bowl			Inside Right Bowl			Cutout in Countertop (1 1/2" Radius Corners)		Number of 1 1/2" Dia. Faucet Holes 4" Center	Ship. Wt. Lbs.
	L	W	L	W	D	L	W	D	L	W		
LGR3722	37	22	14	18	10	16	16	8	36 3/8	21 3/8	1, 2, 3 or 4	28

\*Length is left to right. Width is front to back.



Model LGR37224 Illustrated

**HOLE DRILLING CONFIGURATIONS**



ALL DIMENSIONS IN INCHES, TO CONVERT TO MILLIMETERS MULTIPLY BY 25.4.

In keeping with our policy of continuing product improvement, Elkay reserves the right to change product specifications without notice.

This specification describes an Elkay product with design, quality and functional benefits to the user. When making a comparison of other producers' offerings, be certain these features are not overlooked.