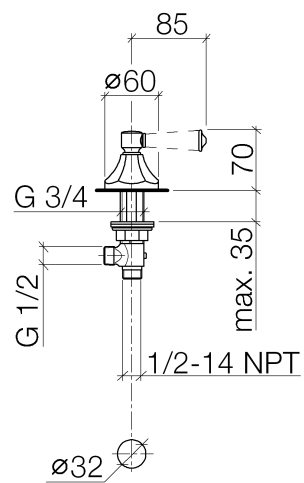




Product specifications

- 1/2" ceramic disc cartridge
- Flange diameter 2 3/8"
- Lever insert(s) to be ordered separately

[ADA]

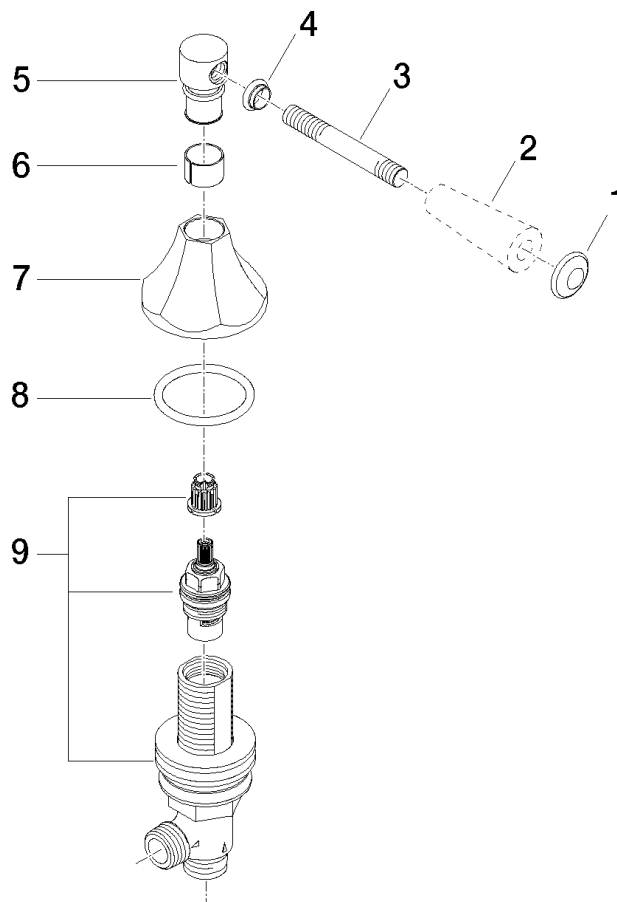




Surfaces

- chrome 20000371-00
- chrome 20000371-00
- matt platinum 20000371-06
- matt platinum 20000371-06
- platinum 20000371-08
- platinum 20000371-08
- brass 20000371-09
- brass 20000371-09

Exploded assembly drawing



Order quantity

No.	Article number	Name	Installation quantity
1	093030062ff	screw	1
2	11170370ff	handle	1
3	09282201390	pipe	1
4	092037001ff	handle	1
5	092082000ff	handle	1
6	09184004190	sleeve	1
7	092737005ff	rosette	1
8	09141004390	seal	1
9	9017110403090	side panel	1

