

SPECIFICATIONS

PARMA™ TWO HANDLE KITCHEN FAUCET

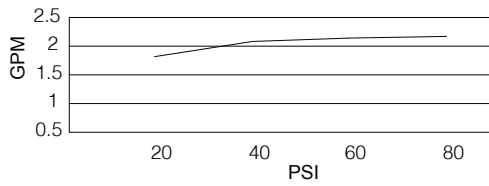
Model

D402059

Description

- High-rise swivel spout
- Ceramic disc valves
- 2 hole mount
- 9 1/4" high spout, 8 1/4" spout length

Flow Rate



Standards



- NSF 61-9
- Energy Policy Act of 1992



NSF/ANSI 372

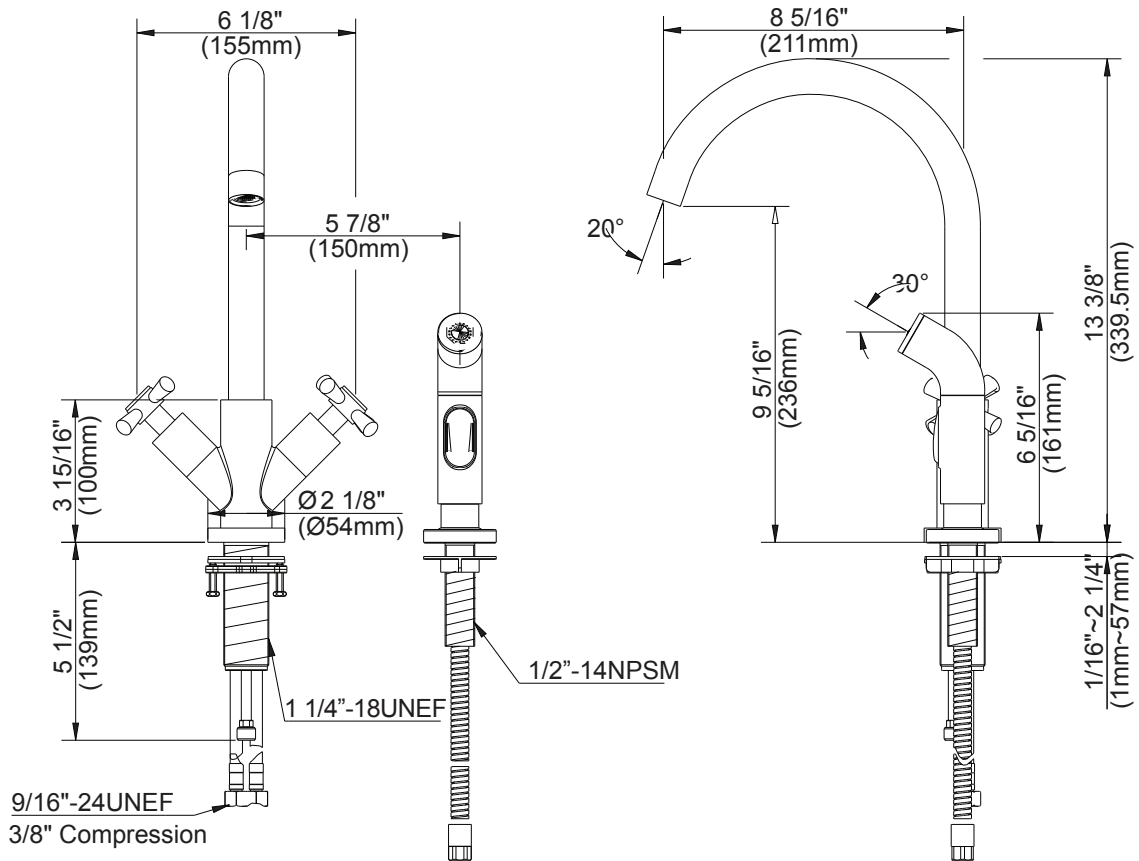
- ASME A112.18.1M/A112.18.1
- NSF/ANSI 372

Finishes Available

- Chrome
- Stainless Steel

Warranty

Danze products are covered by a manufacturer's limited "lifetime" warranty for manufacturing defects.



Submittal Information:

Job Name: _____
 Contractor: _____

Location: _____
 Contact #: _____