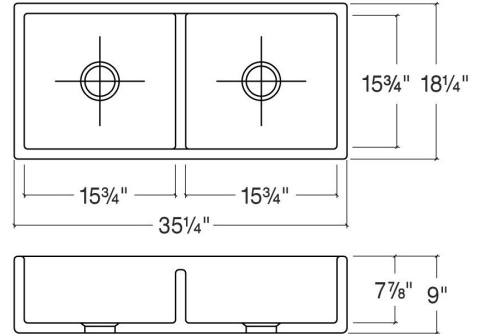


# 080102 Nantucket Double

Project name: \_\_\_\_\_

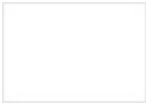
Specifier: \_\_\_\_\_ Contractor: \_\_\_\_\_



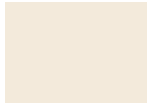
## Features

- Handcrafted in England
- Made from heavy fireclay – Solid throughout
- Up to 40 hours of gradual drying period
- Fired at more than 1200°C – 2200°F
- 30 mm (1-1/8") material thickness \*
- 10 mm (3/8") corner radius\*
- Center 3-1/2" drain placement
- Scratch and chip resistant
- Waste disposal unit compatible
- (\* dimensions may vary by +/- 2% )

## Available colours



White  
080102



Biscuit  
080112

## Standards compliance

- ASME A112.19.2
- CSA B45.0
- CSA B45.1

## Optional accessories

- Grid 200248

## Sink dimensions

Model	Overall	Bowls	Depth	Cabinet Size*	Drain
<b>080102</b> <b>080112</b>	35 1/4" x 18 1/4"	LH 15 3/4" x 15 3/4" RH 15 3/4" x 15 3/4"	7 7/8" 7 7/8"	39"	3 1/2"

\* Cabinet Size is the Recommended Cabinet Size

## Product specifications

Sink to be farmhouse double bowl. Sink to be manufactured from heavy fireclay - solid throughout. Sink to be fired at more than 1200C - 2200F. Sink to feature 10mm (1-5/8") corner radius & 30mm thickness material. Sink to feature center drain placement. Sink to be compatible with waste disposal units. Sink overall dimensions\* to be 35 1/4" left-to-right and 18 1/4" front-to-back. LH Bowl dimensions to be 15 3/4" left-to-right and 15 3/4" front-to-back. RH Bowl dimensions to be 15 3/4" left-to-right and 15 3/4" front-to-back. Sink to be Julien Fireclay collection with bowl depth of 7 7/8". (\* dimensions may vary by +/- 2% )

## Warranty

Julien inc. offers a 1-YEAR LIMITED WARRANTY against manufacturing defects and a 10-YEAR LIMITED WARRANTY on fading/staining issues on its fireclay sinks. For further details on our product warranty, please refer to our catalog or Web site.