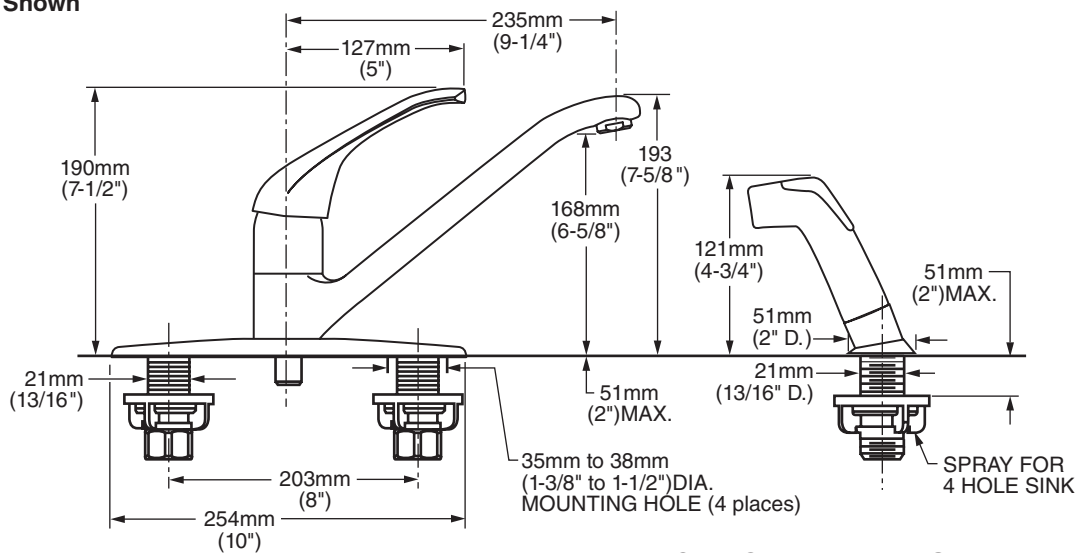


4205.001 Shown

MODEL NUMBER:

- 4205.001 Kitchen Faucet**
Metal Lever Handle. Separate color-matched handspray.
- 4205.001.F15 Kitchen Faucet**
Same as above. 1.5gpm flow rate.
- 4205.000 Kitchen Faucet**
Metal Lever Handle. Less handspray.
- 4205.000.F15 Kitchen Faucet**
Same as above. 1.5gpm flow rate.



GENERAL DESCRIPTION:

Washerless 47mm ceramic disc valve cartridge with integral hot limit safety stop. Cast brass waterway with 1/2" male inlet shanks. Cast brass 9-1/4" (235mm) swivel spout, metal escutcheon plate (escutcheon size 10" L x 2-5/16" W), and metal handle. 2.2gpm/8.3L/min. maximum flow rate, 1.5gpm/5.7 L/min. maximum flow rate for F15 models.

PRODUCT FEATURES:

- Ceramic Disc Valve Cartridge:** Assures a lifetime of drip-free performance.
- Cast Brass Waterway, Cast Brass Spout:** Highest quality faucet materials for durability and long life.
- Higher and Longer Spout:** Spout designed to allow more room under spout and extended reach into the sink.
- Memory Position Valving:** Allows user to turn valve on and off at preferred temperature setting without readjusting handle position each time.
- Adjustable Hot Limit Safety Stop:** Limits the amount of hot water allowed to mix with cold. Reduces the risk of accidental scalding.
- Lead Free:** Faucet contains ≤ 0.25% total lead content by weighted average.
- Simple Installation:** Fast and easy one person installation. Faucet drops in from top. Quick-spin nuts secure faucet in place.

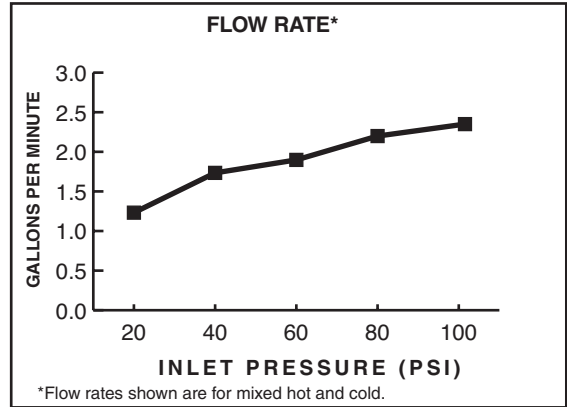
SUGGESTED SPECIFICATION:

Single control kitchen faucet shall feature a cast brass body and swivel spout, and all metal handle. Shall also feature washerless 47mm ceramic disc valve cartridge with integral hot limit safety stop. Fitting shall be American Standard Model # 4205.00____.

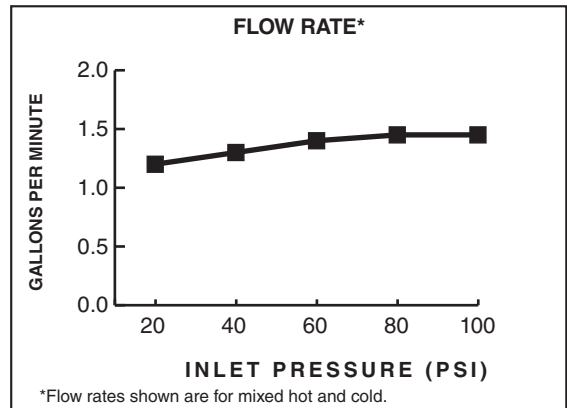
CODES AND STANDARDS

These products meet or exceed the following codes and standards:

- ANSI A117.1
- ASME A112.18.1
- CSA B 125
- NSF 61/Section 9 & Annex G




2.2gpm/8.3L/min. FLOW RATE



1.5gpm/5.7 L/min. FLOW RATE

Product Number	Description	Finish
		Polished Chrome
		002
4205.001	Kitchen faucet. Cast brass waterway with 1/2" male inlet shanks. Separate handspray.	
4205.001.F15	Same as above. 1.5gpm/5.7 L/min. flow rate.	
4205.000	Kitchen faucet. Cast brass waterway with 1/2" male inlet shanks. Less handspray.	
4205.000.F15	Same as above. 1.5gpm/5.7 L/min. flow rate.	

 Meets the American Disabilities Act Guidelines and **ANSI A117.1** Requirements for the physically challenged.