

# ELKAY® SPECIFICATIONS

## Celebrity® Single Bowl Hospitality Sink No Faucet Ledge Model BCFR1315

### GENERAL

Good quality sink bowl seamlessly formed of #20 gauge, type 304 (18-8) nickel bearing stainless steel. Self-rimming.

### DESIGN FEATURES

Bowl Depth: 6-1/8".

Coved Corners: 2-1/4" vertical and horizontal radius.

Bowl Recess: 3/16" below outside edge of sink.

Finish: Exposed surfaces are machine polished to a highlighted bright finish.

Underside: Fully undercoated to dampen sound and prevent condensation.

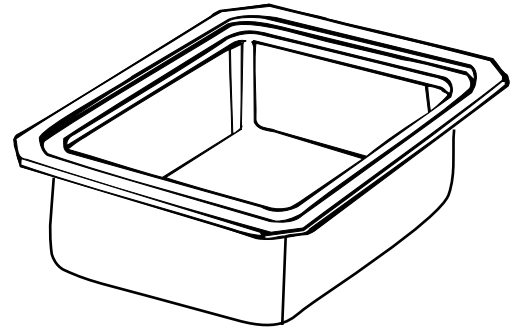
### OTHER

Drain Opening: 2".

This sink complies with ANSI Standard A112.19.3M.



This sink is listed by the International Association of Plumbing and Mechanical Officials as meeting the requirements of the Uniform Plumbing Code.

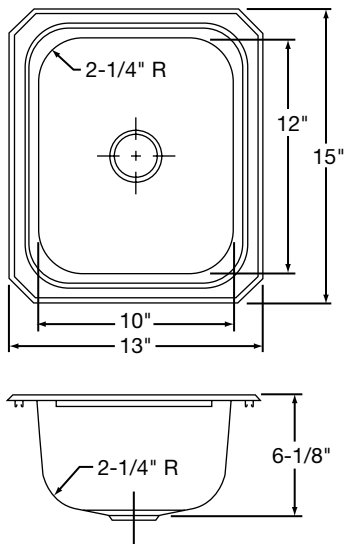


Model BCFR1315

### SINK DIMENSIONS (INCHES)\*

Model Number	Overall		Inside Bowl			Cutout in Countertop (1 1/2" Radius Corners)		Minimum Cabinet Size	Ship. Wt. Lbs.
	L	W	L	W	D	L	W		
BCFR1315	13	15	10	12	6 1/8	12 3/8	14 3/8	18	5

\*Length is left to right. Width is front to back.



Model BCFR1315 Illustrated

ALL DIMENSIONS IN INCHES, TO CONVERT TO MILLIMETERS MULTIPLY BY 25.4.

In keeping with our policy of continuing product improvement, Elkay reserves the right to change product specifications without notice.

This specification describes an Elkay product with design, quality and functional benefits to the user. When making a comparison of other producers' offerings, be certain these features are not overlooked.