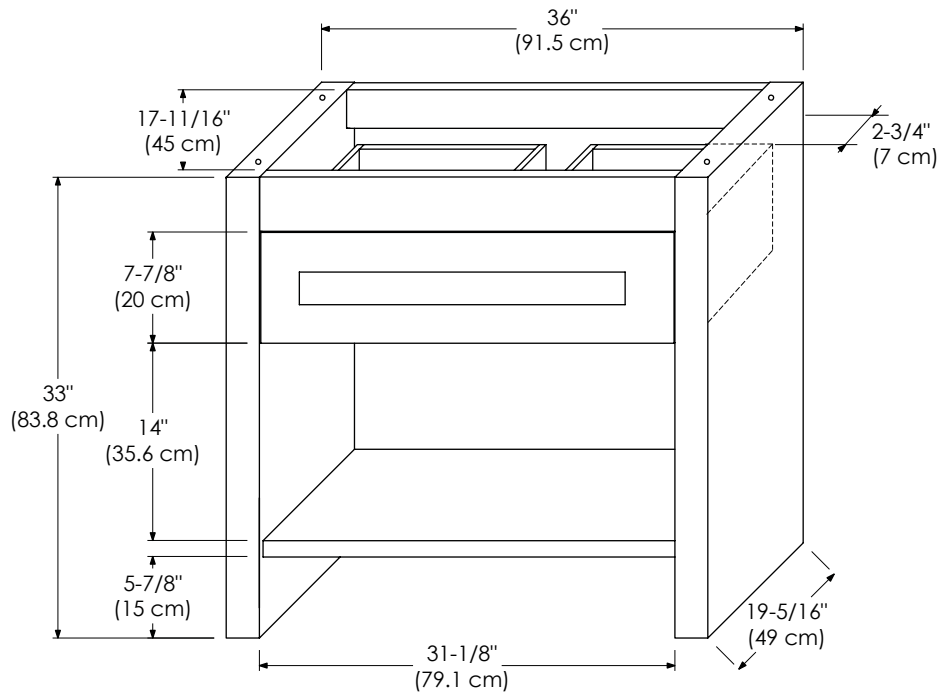


- Frosted Glass front
- Soft Close and Full Extension drawer with Dovetail Construction
- Undermount glides
- Extend design with Optional 12" & 18" Drawer Bridge, 15" Shelf Bridge and 35" max Bridge Panel
- Optional Drawer Organizer
- Matching Mirror and Medicine Cabinet

All Ronbow cabinets are made of solid hardwood or hardwood plywood and meet strict CARB Standards. No particle Board or Micro-Density Fiberboard (MDF) are used.

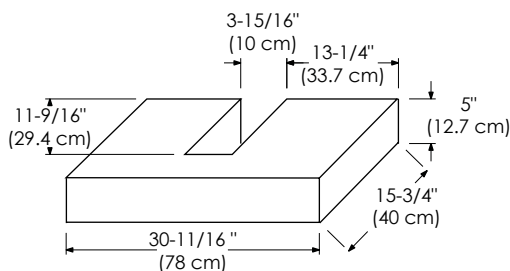
Available finishes:
BLACK B02

Available tops:
CERAMIC SINKTOP
GLASS SINKTOP
TECHSTONE™ TOP
WIDEAPPEAL™ TOP

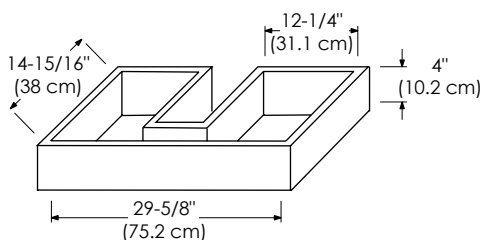


DRAWER

Exterior dimensions



Inner dimensions



CUTOUT FOR P-TRAP

