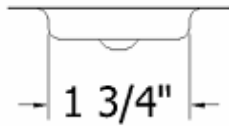
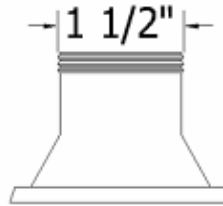
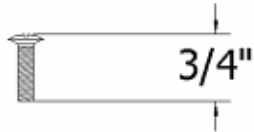
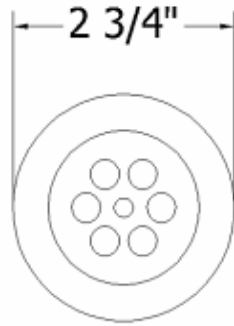


# 4521 - Grid Strainer 1 1/2"



## Technical Information

- Available finishes are Polished Brass(**55**), Polished Nickel(**56**), Weathered Copper(**59**), Satin Nickel(**60**), Weathered Brass(**70**).
- Please see cleaning instructions for finish care and maintenance information.
- 1 1/2" outlet

## Part#

01  
02  
03  
04

## Description

Finished Screw  
Finished Grid Strainer  
Rubber O-ring  
Brass Tailpiece

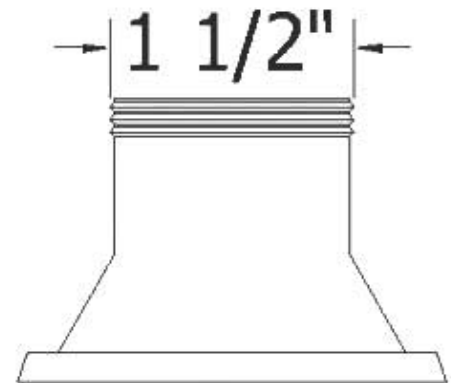
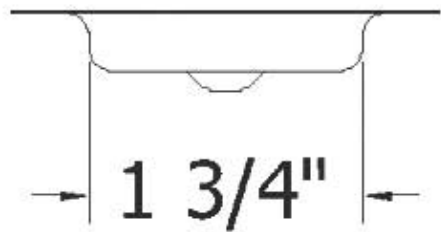
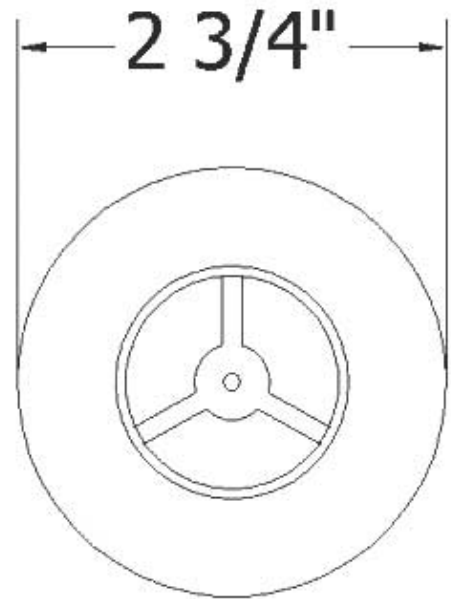
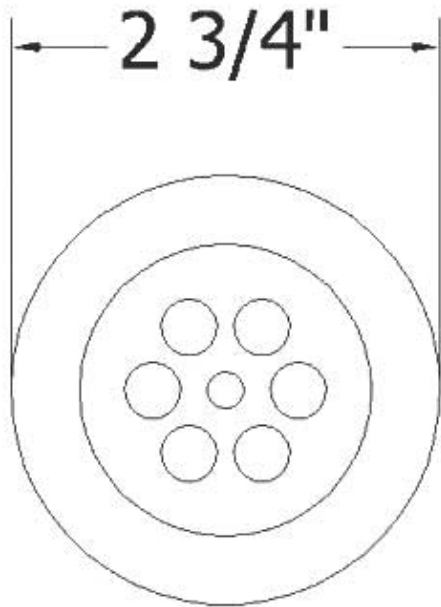
Please follow example when ordering parts for Grid Strainer 1 1/2".

- To order part#01 – **Finished Screw**
  - 9452101xx
- Please substitute finish number needed in place of **xx**.
- To order a part that is not finished use **00**

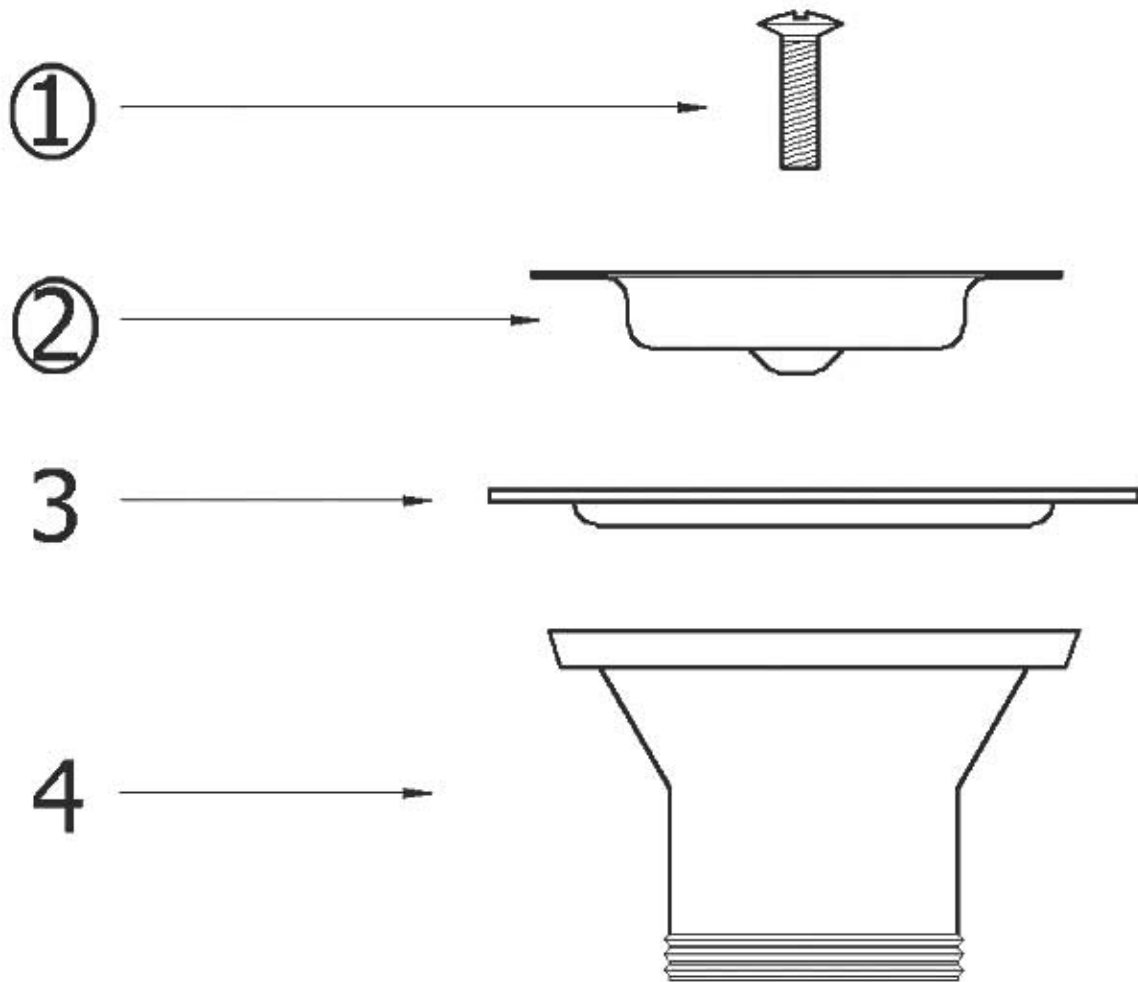


**Herbeau**  
L'Art du Sanitaire depuis 1857

# 4521 - Grid Strainer 1 1/2"



# 4521 - Grid Strainer 1 1/2"



○ - Finished Pieces