

SPECIFICATIONS

MELROSE™ SINGLE HANDLE POT FILLER

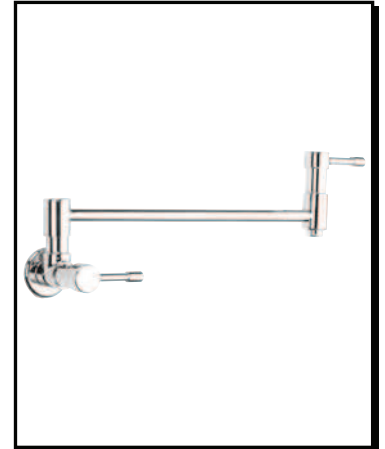
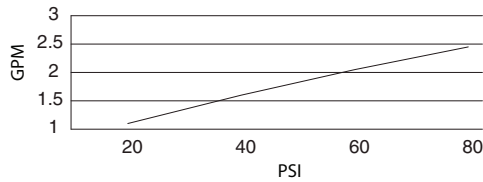
Model

D205012 (Replaces D205314 series)

Description

- Two ceramic disc valves
- Swing spout with shut off and control valve
- Spout reach extends 15"
- Designed for cold water hook up
- Single hole wall mount

Flow Rate



Standards



- NSF 61-9
- Energy Policy Act of 1992



NSF/ANSI 372

- ASME A112.18.1M/A112.18.1
- NSF/ANSI 372
- CSA B125.1



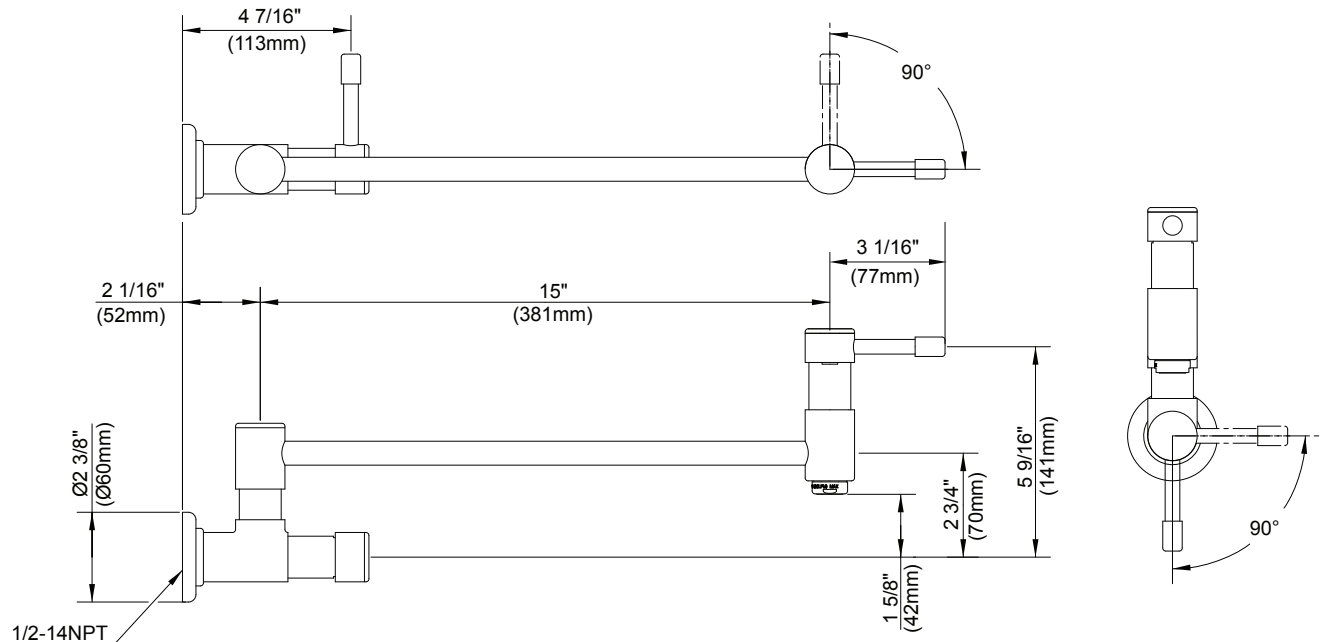
- ADA Accessibility Guidelines for Buildings and Facilities - 4.27.4 Controls and Mechanisms

Finishes Available

- Chrome
- Other: Refer to Price List for additional finish

Warranty

Danze products are covered by a manufacturer's limited "lifetime" warranty for manufacturing defects.



Submittal Information:

Job Name: _____
 Contractor: _____

Location: _____
 Contact #: _____