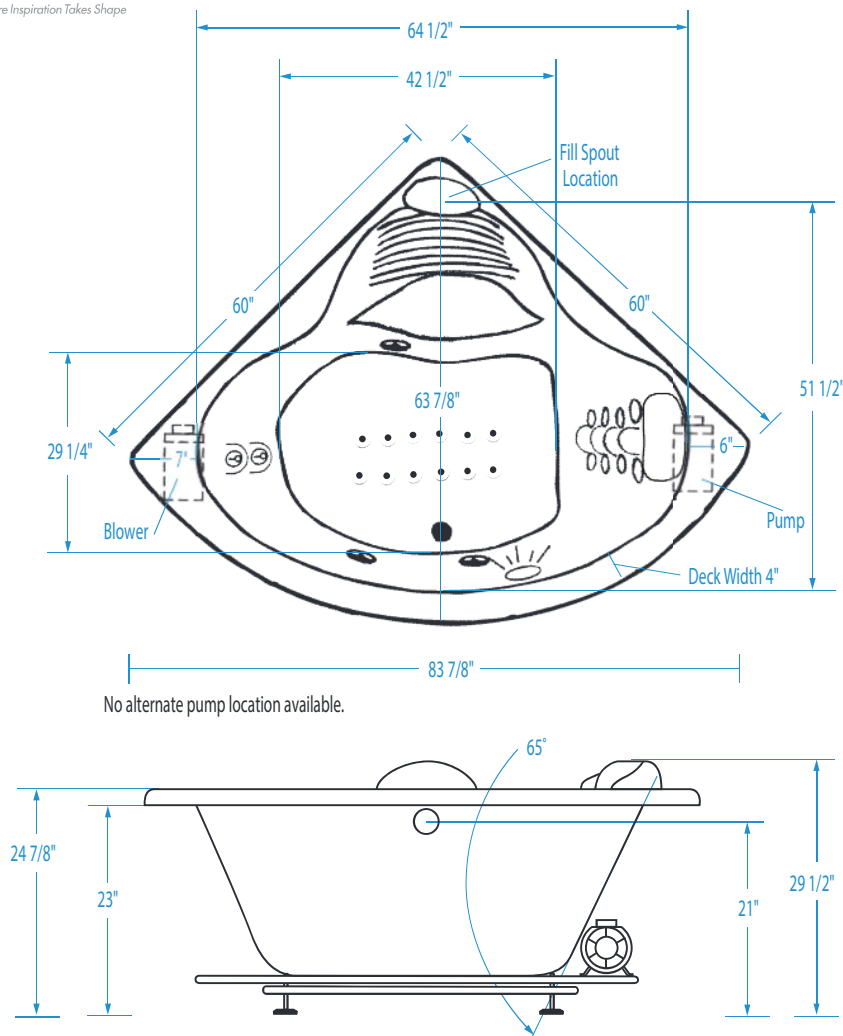


INFINITY 4

60 x 60 x 29 1/2 (1525 x 1525 x 750)
inches (mm)



This unit has a 3/4" female waterfall fill spout connection.



FEATURES lbs (kg) Dimensional Tolerance ± 3/8". Dimensions needed for site preparation should be measured from the unit. Aquatic assumes no responsibility for preparatory work.

Type and Model #	Material	Jets	Pump	Air System	Blower	Heater	Controls	Drain	Pkg. Wt.
Air-whirlpool #Al4INf6060A	Acrylic	17	1.75 HP	Injector	Variable speed	1.5 kw Inline	Electronic	Center Front	518 (235)

DIMENSIONS inches (mm)

Width Overall / Net	Depth Overall / Net	Height Overall / Net	Skirt Height
60 (1525)	60 (1525)	29 1/2 (750)	-

SUMP DATA inches (mm)

Capacity to Overflow gal (ltr)	Min. Operating Capacity gal (ltr)	WIDTH @ centerline		DEPTH @ centerline	
		Top	Bottom	Top	Bottom
132 (500)	92 (348)	64 1/2 (1640)	42 1/2 (1080)	51 1/2 (1310)	29 1/4 (740)

PLUMBING DIMENSIONS inches (mm)

A	B	Drain Diameter / Clearance
3 (75)	11 3/4 (300)	2 (50) / 2 3/4 (70)

ELECTRICAL DATA

Component	Specification	Requirement
Pump	1.75 HP; 12 AMP; 120 V	15 AMP 1 pole, separate circuit, Class A GFCI
Inline Heater	1.5 kW; 12 AMP; 120 V	15 AMP 1 pole, separate circuit, Class A GFCI
Blower	1.0 HP; 9.5 AMP; 120 V	15 AMP 1 pole, separate circuit, Class A GFCI

NOTES:

1) Where applicable, utilize cut-out templates packed with unit for deck cutouts.

2) 16 x 16 (405 x 405) minimum access required at pump/blower location(s).