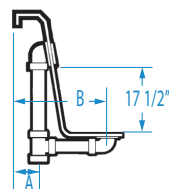
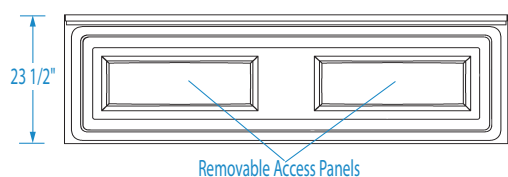
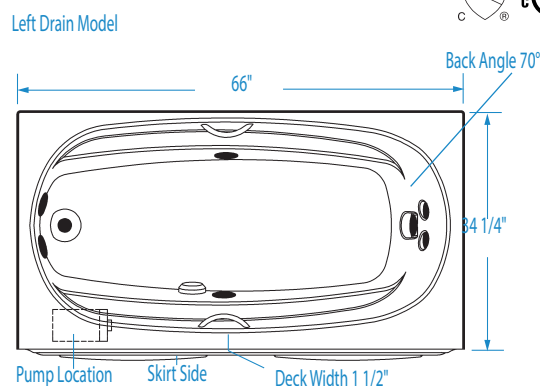
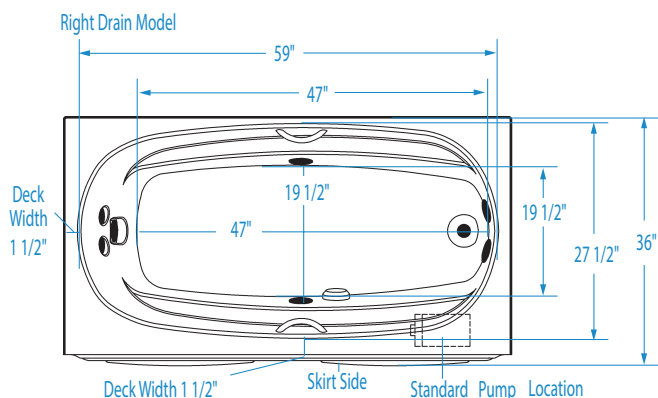


SANTA CRUZ

66 x 36 x 23 3/4 (1675 x 915 x 605)
inches (mm)



Note: For Air-whirlpool, no alternate pump/blower location available.

Note: Requires a mortar base. ABS support base not included.

FEATURES lbs (kg) Dimensional Tolerance ± 3/8". Dimensions needed for site preparation should be measured from the unit. Aquatic assumes no responsibility for preparatory work.

Type and Model #	Material	Jets	Pump	Air System	Blower	Heater	Controls	Drain	Pkg. Wt.
Whirlpool #AI6636ISL/R	Acrylic	7	1.75 HP	—	—	1.5 kw Inline (optional)	Electronic	LH or RH	153 (69)
Air-Whirlpool #AI31LUX6636ISL/R	Acrylic	7	1.75 HP	Channel	Variable speed	1.5 kw Inline	Electronic	LH or RH	292 (132)

DIMENSIONS inches (mm)

Width Overall / Net	Depth Overall / Net	Height Overall / Net	Skirt Height
66 (1675)	36 (915)	23 3/4 (605)	22 5/8 (575)

SUMP DATA inches (mm)

Capacity to Overflow gal (ltr)	Min. Operating Capacity gal (ltr)	WIDTH @ centerline		DEPTH @ centerline	
		Top	Bottom	Top	Bottom
85 (322)	66 (250)	59 (1500)	47 (1195)	27 1/2 (700)	19 1/2 (495)

PLUMBING DIMENSIONS inches (mm)

A	B	Drain Diameter / Clearance
1 3/4 (45)	10 3/4 (275)	

ELECTRICAL DATA

Component	Specification	Requirement
Pump	1.75 HP; 12 AMP; 120V	15 AMP; 120V, separate circuit; Class A GFCI
Optional Heater	1.5 kW; 12 AMP; 120V	15 AMP; 120V, separate circuit; Class A GFCI
Blower	1.0 HP; 9.5 AMP; 120V	15 AMP; 120V, separate circuit; Class A GFCI

NOTES:

1) Where applicable, utilize cut-out templates packed with unit for deck cutouts.

2) 16 x 16 (405 x 405) minimum access required at pump/blower location(s).

NOTE:

1) This whirlpool must be hard wired to the breaker box. Three outlets will be supplied on the air-whirlpool.