

CELLINI OFFSET SHOWER ROD

Cat. No.
4120



L: 60" or 72"

D: 6" on all rods

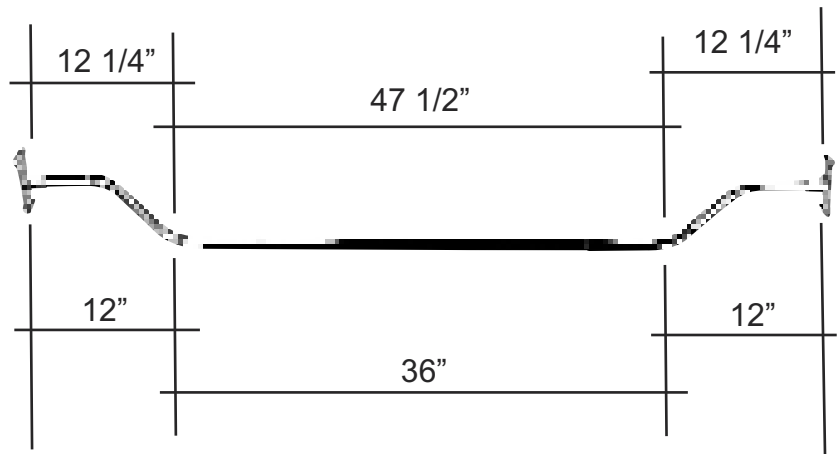
Features:

- ▶ 1" Solid Brass Tubing
- ▶ Includes Rectangular Flanges: Part #300
- ▶ Available In 2 Finishes
- ▶ Available In Two Sizes: 60", and 72"
(#4120-60, #4120-72)
- ▶ All Rods Come As Three Pieces
- ▶ Rods Are Adjustable By Cutting Ends
- ▶ Ceiling Supports Available: Part #340

Finishes:

- CP Polished Chrome
- BP Polished Brass

Measurements (On Top) For 72"



Measurements (On Bottom) For 60"

Dimensions are nominal and may vary. Dimensions and specifications subject to change without notice.